

33 875 760



- 225mm projection
- pivotable spout 130°
- air-enriched flow and spray flow
- height of mixer 254 mm
- height up to aerator 179 mm
- hole diameter 35 mm
- 1600mm metal shower hose
- max. flow 9.6 l/min at 3 bar flow pressure
- lead-free
- This product can help a building meet the requirements of Green Building Rating Systems, e.g. LEED®, BREEAM®, DGNB

Intrinsic protection against back flow.

|  |                                |               |
|--|--------------------------------|---------------|
|  | Platinum                       | 33 875 760-08 |
|  | Chrome                         | 33 875 760-00 |
|  | Brushed Platinum               | 33 875 760-06 |
|  | Dark Chrome                    | 33 875 760-19 |
|  | Brushed Durabronze (23kt Gold) | 33 875 760-28 |
|  | Brushed Champagne (22kt Gold)  | 33 875 760-46 |
|  | Champagne (22kt Gold)          | 33 875 760-47 |
|  | Brushed Chrome                 | 33 875 760-93 |
|  | Brushed Dark Platinum          | 33 875 760-99 |

**Recommended miscellaneous**

**Strainer waste with control handle - Platinum** 10 712 970-08

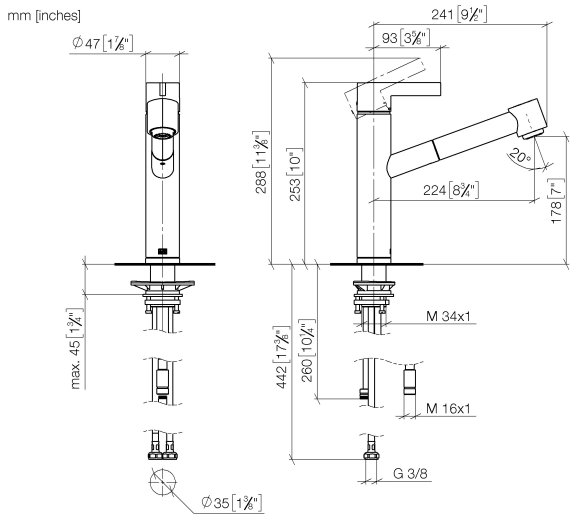


**Recommended miscellaneous**

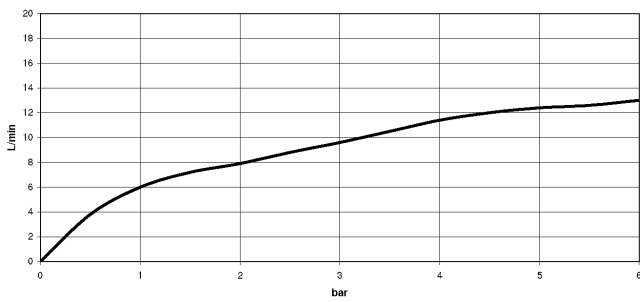
**Dispenser without rosette - Platinum** 82 424 970-08



33 875 760



**Flow rate chart**



**Codes & Standards**

DIN 4109

EN 1717

Executive Order  
no. 1007

ISO 3822

**Ü-Zeichen**



## ENO Single-lever mixer Pull-out with spray function - Platinum

---

ENO

33 875 760

### Certificates

---

GDV\_0400

LGA\_28

Belgaqua\_21-027-2

33 875 760

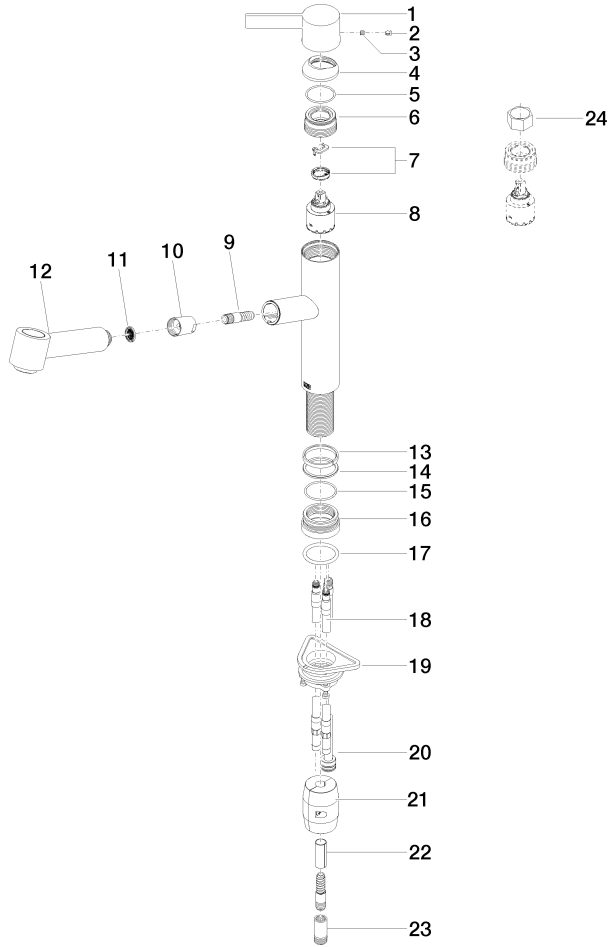
Product version from 2/26/2015 to 3/5/2020

Product version from 3/5/2020 to 1/7/2021

Product version from 1/7/2021 to 5/7/2021

**Product version from 5/7/2021**

Parts for other finishes can be found here: Chrome





## ENO Single-lever mixer Pull-out with spray function - Platinum

ENO

33 875 760

### Spare parts list

Product version from 2/26/2015 to 3/5/2020

Product version from 3/5/2020 to 1/7/2021

Product version from 1/7/2021 to 5/7/2021

### Product version from 5/7/2021

| No. | Item Number     | Name   | Quantity used | Delivery time |
|-----|-----------------|--------|---------------|---------------|
|     | 09 20 76 001-08 | handle | 25            | 40            |