

33 875 760



- 225mm projection
- pivotable spout 130°
- air-enriched flow and spray flow
- height of mixer 254 mm
- height up to aerator 179 mm
- hole diameter 35 mm
- 1600mm metal shower hose
- max. flow 9.6 l/min at 3 bar flow pressure
- lead-free
- This product can help a building meet the requirements of Green Building Rating Systems, e.g. LEED®, BREEAM®, DGNB

Intrinsic protection against back flow.

	Brushed Dark Platinum	33 875 760-99
	Chrome	33 875 760-00
	Brushed Platinum	33 875 760-06
	Platinum	33 875 760-08
	Dark Chrome	33 875 760-19
	Brushed Durabronze (23kt Gold)	33 875 760-28
	Brushed Champagne (22kt Gold)	33 875 760-46
	Champagne (22kt Gold)	33 875 760-47
	Brushed Chrome	33 875 760-93

**Recommended miscellaneous**

**Strainer waste with control handle - Brushed Dark Platinum** 10 712 970-99

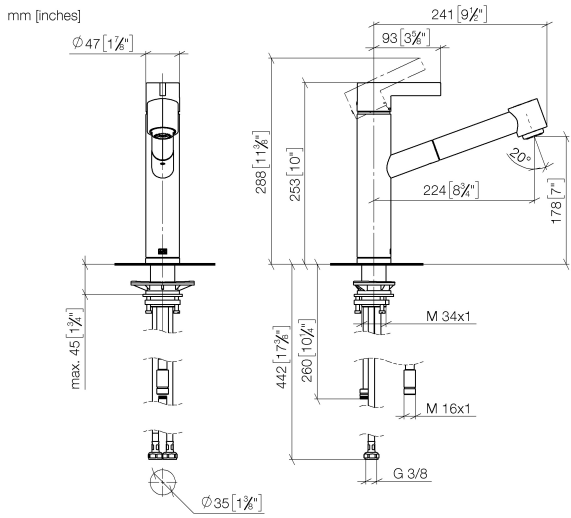


**Recommended miscellaneous**

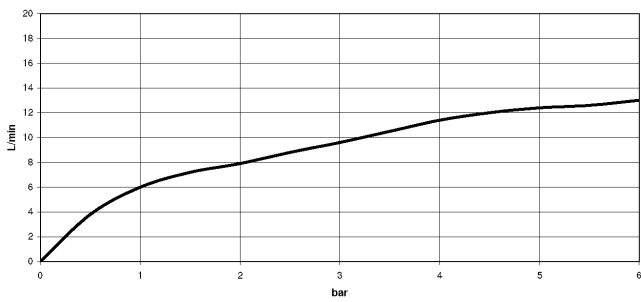
**Dispenser without rosette - Brushed Dark Platinum** 82 424 970-99



33 875 760



**Flow rate chart**



**Codes & Standards**

DIN 4109

EN 1717

Executive Order  
no. 1007

ISO 3822

**Ü-Zeichen**



## ENO Single-lever mixer Pull-out with spray function - Brushed Dark Platinum

---

ENO

33 875 760

### Certificates

---

GDV\_0400

LGA\_28

Belgaqua\_21-027-2

33 875 760

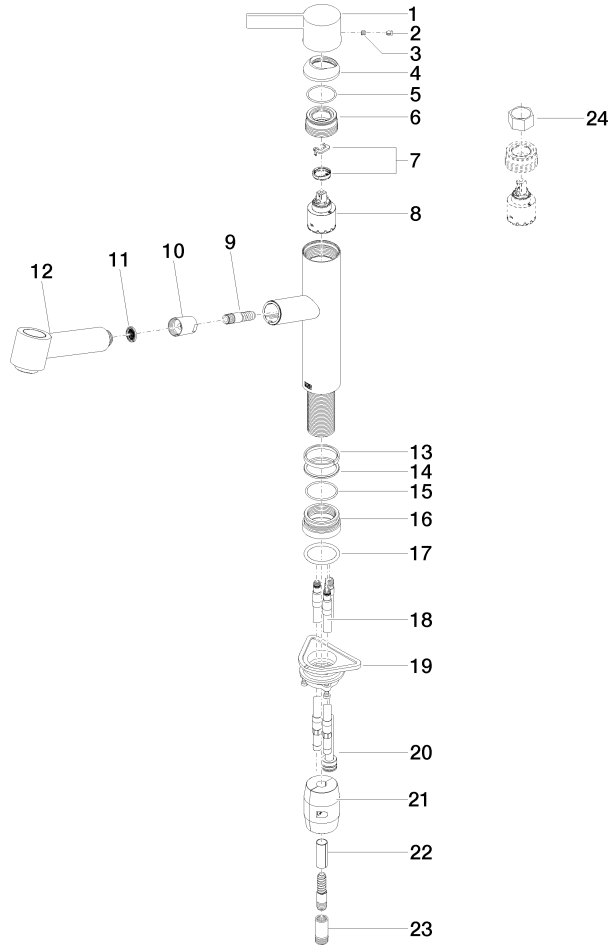
Product version from 2/26/2015 to 3/5/2020

Product version from 3/5/2020 to 1/7/2021

Product version from 1/7/2021 to 5/7/2021

**Product version from 5/7/2021**

Parts for other finishes can be found here: [Chrome](#)





## ENO Single-lever mixer Pull-out with spray function - Brushed Dark Platinum

ENO

33 875 760

### Spare parts list

Product version from 2/26/2015 to 3/5/2020

Product version from 3/5/2020 to 1/7/2021

Product version from 1/7/2021 to 5/7/2021

### Product version from 5/7/2021

No.	Item Number	Name	Quantity used	Delivery time
	09 20 76 001-99	handle	25	30