

Concealed floor mounting -

35 945 970 90



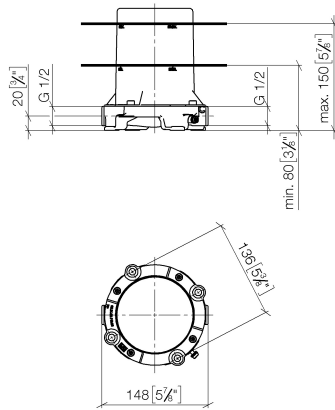
- red brass, lead-free
- 2x female thread 1/2" connections
- dust cover
- anti-water packing
- WRAS



Concealed floor mounting -

35 945 970 90

mm [inches]



Codes & Standards

Scottish Water
Byelaws

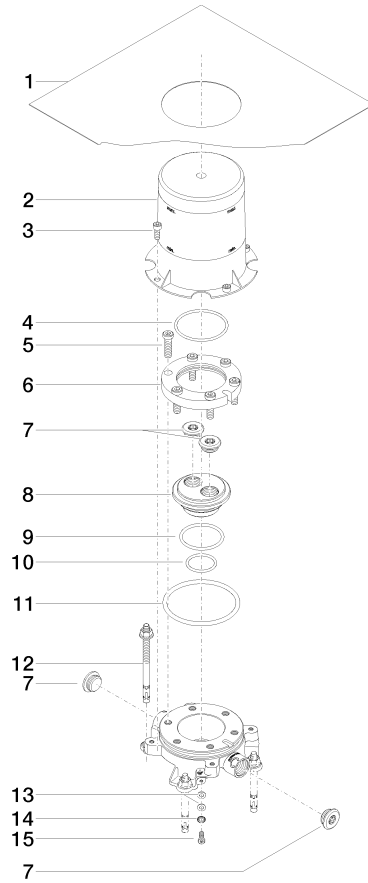
UK Water Supply
Regulations

Certificates

WRAS_2005

Concealed floor mounting -

35 945 970 90



Spare parts list

No.	Item Number	Name	Quantity used	Delivery time
1	04 14 03 077 00 90	gasket kit	1	2
2	09 21 02 116 90	cap	1	2
3	09 30 30 053 90	screw	4	2
4	09 14 10 078 90	seal	1	2
5	09 30 30 047 90	screw	6	2
6	09 30 11 121 90	connection	1	2
7	04 31 20 006 00 90	plug	4	2
8	09 31 20 033 90	plug	1	2
9	09 14 10 084 90	seal	1	2
10	09 14 10 018 90	seal	1	2
11	09 14 10 072 90	seal	1	2
12	04 30 35 008 00 90	fixing set	4	2
13	09 30 11 048 90	disc	2	2
14	90 30 11 032 00 90	disc	1	2
15	09 30 30 058 90	screw	1	2