

Concealed single-lever mixer with integrated shower connection with hand shower set without hand shower - Matte Black

IMO

36 002 970



- metal shower hose 1750mm with integrated anti-twist protection
- WRAS 2011027

This article does not include a hand shower!

Intrinsic protection against back flow.

This article does not include a hand shower!

Intrinsic protection against back flow.

Fits: IMO, LULU, MADISON, MEM, TARA, CL.1, LISSÉ, VAIA, META, CYO

	Matte Black	36 002 970-33
	Chrome	36 002 970-00
	Brushed Platinum	36 002 970-06
	Platinum	36 002 970-08
	Dark Chrome	36 002 970-19
	Brushed Light Gold	36 002 970-27
	Brushed Durabronze (23kt Gold)	36 002 970-28
	Brushed Bronze	36 002 970-42
	Brushed Champagne (22kt Gold)	36 002 970-46
	Champagne (22kt Gold)	36 002 970-47
	Brushed Chrome	36 002 970-93
	Brushed Dark Platinum	36 002 970-99

Concealed single-lever mixer with integrated shower connection with hand shower set without hand shower - Matte Black

IMO

36 002 970

Required miscellaneous



Concealed wall mounting -
 •max. recess depth 105 mm
 •min. recess depth 80 mm

35 050 970 90

Required miscellaneous



Hand shower FlowReduce - Matte Black

28 016 979-33 0010

Required miscellaneous



Hand shower - Matte Black

28 017 979-33

Required miscellaneous



Hand shower FlowReduce - Matte Black

28 012 979-33 0010

Required miscellaneous



Hand shower - Matte Black

28 016 979-33

Required miscellaneous



Hand shower - Matte Black

28 012 979-33

Required miscellaneous



Hand shower - Matte Black

28 018 979-33

Required miscellaneous



Hand shower FlowReduce - Matte Black

28 018 979-33 0010

Required miscellaneous



SERIES-VARIOUS Hand shower - Matte Black

28 029 979-33

Required miscellaneous



SERIES-VARIOUS Hand shower - Matte Black

28 029 979-33 0010

Required miscellaneous



SERIES-VARIOUS Hand shower - Matte Black

28 025 979-33 0010

Required miscellaneous



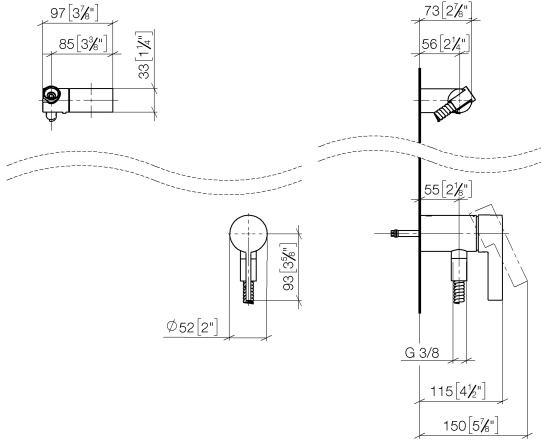
SERIES-VARIOUS Hand shower - Matte Black

28 027 979-33 0010

Concealed single-lever mixer with integrated shower connection with hand shower set without hand shower - Matte Black

IMO

36 002 970
mm [inches]



Codes & Standards

DIN 4109	EN 1717	ISO 3822	Scottish Water Byelaws
UK Water Supply Regulations	Ü-Zeichen		

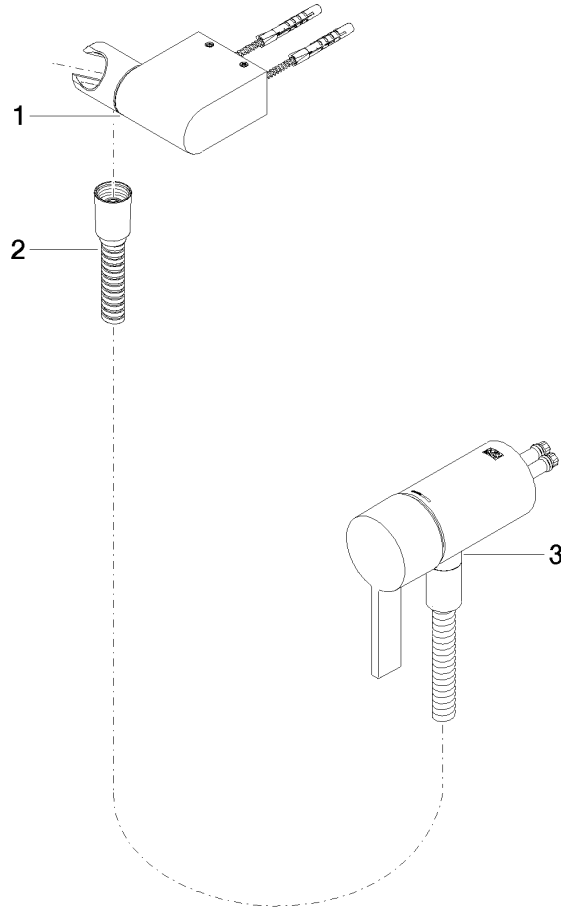
Certificates

Belgaqua_21-025-2 WRAS_2011 LGA_29

Concealed single-lever mixer with integrated shower connection with hand shower set without hand shower - Matte Black

36 002 970

Product version from 10/1/2023





Concealed single-lever mixer with integrated shower connection with hand shower set without hand shower - Matte Black

IMO

36 002 970

Spare parts list

Product version from 10/1/2023

No.	Item Number	Name	Quantity used	Delivery time
	28 060 970-33	Wall bracket swivel - Matte Black	3	30