

36 513 979




- AQUAPRESSURE FLOW, max. flow rate 10 l/min (at 3 bar)
- water jet adjustable
- cover plate 240 x 60 mm
- 1/2" connection
- WRAS 2005003


Fits: IMO, LULU, MADISON, MEM, TARA, CL.1, LISSÉ, VAIA, META, CYO

	Brushed Durabronz (23kt Gold)	36 513 979-28
	Chrome	36 513 979-00
	Brushed Platinum	36 513 979-06
	Platinum	36 513 979-08
	Dark Chrome	36 513 979-19
	Light Gold	36 513 979-26
	Brushed Light Gold	36 513 979-27
	Matte Black	36 513 979-33
	Brushed Bronze	36 513 979-42
	Brushed Champagne (22kt Gold)	36 513 979-46
	Champagne (22kt Gold)	36 513 979-47
	Brushed Chrome	36 513 979-93
	Brushed Dark Platinum	36 513 979-99


Required miscellaneous

	Concealed wall installation box - 35 206 970 90
	<ul style="list-style-type: none"> • max. recess depth 173 mm • min. recess depth 100 mm

Recommended miscellaneous

	xGRID Attachment set for integrating in the dry wall construction - 12 340 970 90
---	--

Required miscellaneous

	xGRID Installation track 555 mm - 12 360 970 90
---	--

36 513 979

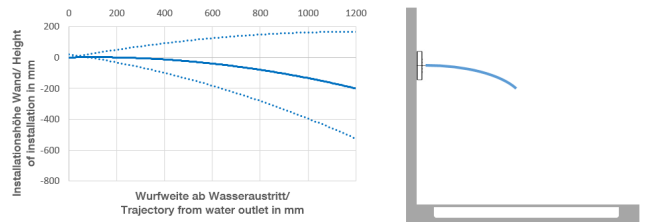
mm [inches]



Flow rate chart



Trajectory diagram



Codes & Standards

DIN 4109

ISO 3822

Scottish Water
Byelaws

UK Water Supply
Regulations

Ü-Zeichen



WATER FAN vertical Concealed body spray - Brushed Durabronz (23kt Gold)

IMO

36 513 979

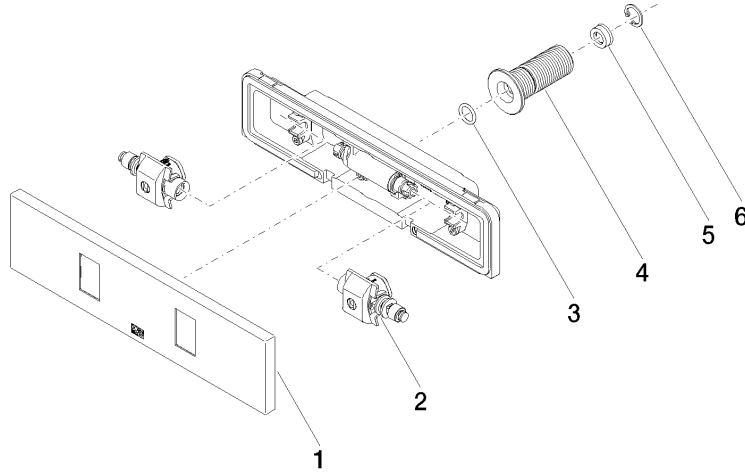
Certificates

LGA_29

WRAS_2005

36 513 979

Product version from 4/1/2024





WATER FAN vertical Concealed body spray - Brushed Durabronz (23kt Gold)

IMO

36 513 979

Spare parts list

Product version from 4/1/2024

No.	Item Number	Name	Quantity used	Delivery time
	90 27 99 002 00-28	insert	6	20