

MEM Wall valve clockwise closing 1/2" - Dark Chrome

MEM

36 607 782



- rosette 60 x 60 mm
- head part with cut-to-length spindle and sleeve
- WRAS 2011026, 2010066

	Dark Chrome	36 607 782-19
	Chrome	36 607 782-00
	Brushed Platinum	36 607 782-06
	Platinum	36 607 782-08
	Brushed Durabross (23kt Gold)	36 607 782-28
	Brushed Champagne (22kt Gold)	36 607 782-46
	Champagne (22kt Gold)	36 607 782-47
	Brushed Chrome	36 607 782-93
	Brushed Dark Platinum	36 607 782-99

Required miscellaneous



Wall valve 1/2" -

35 607 970 90

- max. recess depth 150 mm
- min. recess depth 105 mm

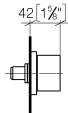
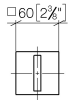


MEM Wall valve clockwise closing 1/2" - Dark Chrome

MEM

36 607 782

mm [inches]



Codes & Standards

DIN 4109

EN 1111

EN 200

ISO 3822

Scottish Water
Byelaws

UK Water Supply
Regulations

Ü-Zeichen

Certificates

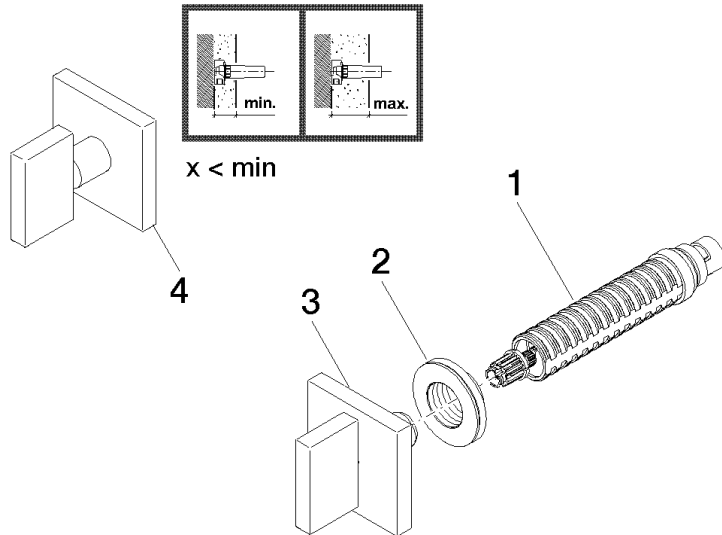
DVGW_DW-
6501DN0

WRAS_2010

LGA_29

DVGW_DW-
6512DN0

WRAS_2011





MEM Wall valve clockwise closing 1/2" - Dark Chrome

MEM

36 607 782

Spare parts list