

## MEM Wall-mounted basin mixer without pop-up waste - Brushed Platinum

36 702 782



- 126mm projection
- fixed spout
- rectangular, air-enriched flow
- hole diameter valve 35 mm
- hole diameter spout 35 mm
- individual rosettes 60 x 60 mm
- max. flow 5.7 l/min
- lead-free
- This product can help a building meet the requirements of Green Building Rating Systems, e.g. LEED®, BREEAM®, DGNB

	Brushed Platinum	36 702 782-06
	Chrome	36 702 782-00
	Platinum	36 702 782-08
	Dark Chrome	36 702 782-19
	Brushed Durabronze (23kt Gold)	36 702 782-28
	Brushed Champagne (22kt Gold)	36 702 782-46
	Champagne (22kt Gold)	36 702 782-47
	Brushed Dark Platinum	36 702 782-99

### Required miscellaneous



- Concealed wall-mounted mixer centred spout -** 35 700 970 90
- min. recess depth mm
  - max. recess depth mm

### Required miscellaneous

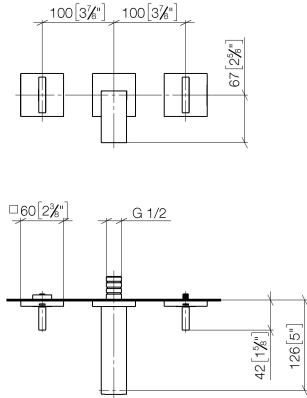


- Concealed wall-mounted mixer variable positioning -** 35 720 970 90
- min. recess depth mm
  - max. recess depth mm

**MEM Wall-mounted basin mixer without pop-up waste - Brushed Platinum**

36 702 782

mm [inches]



**Flow rate chart**



**Codes & Standards**

DIN 4109

ISO 3822

Ü-Zeichen



## MEM Wall-mounted basin mixer without pop-up waste - Brushed Platinum

---

36 702 782

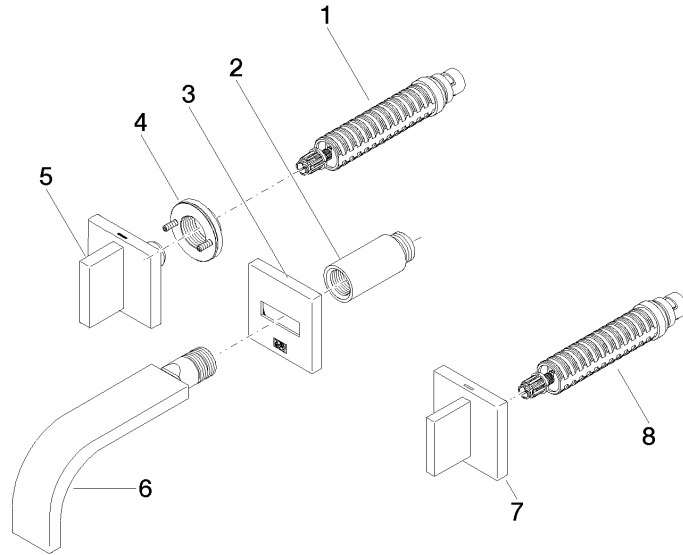
Certificates

---

LGA\_38

**MEM Wall-mounted basin mixer without pop-up waste - Brushed Platinum**

36 702 782



**Spare parts list**

No.	Item Number	Name	Quantity used	Delivery time
1	90 90 03 156 00 90	top	1	2
2	09 24 03 081 10 90	extension	1	2
3	90 27 78 035 00-06	rosette	1	10
4	90 21 02 108 00 90	disc	1	2
5	90 20 78 002 07-06	handle ( hot )	1	10
6	90 28 22 357 00-06	spout	1	10
7	90 20 78 002 06-06	handle ( cold )	1	10
8	90 90 03 157 00 90	top	1	2