

MEM Wall-mounted basin mixer without pop-up waste - Brushed Champagne (22kt Gold)

36 702 782



- 126mm projection
- fixed spout
- rectangular, air-enriched flow
- hole diameter valve 35 mm
- hole diameter spout 35 mm
- individual rosettes 60 x 60 mm
- max. flow 5.7 l/min
- lead-free
- This product can help a building meet the requirements of Green Building Rating Systems, e.g. LEED®, BREEAM®, DGNB

	Brushed Champagne (22kt Gold)	36 702 782-46
	Chrome	36 702 782-00
	Brushed Platinum	36 702 782-06
	Platinum	36 702 782-08
	Dark Chrome	36 702 782-19
	Brushed Durabronze (23kt Gold)	36 702 782-28
	Champagne (22kt Gold)	36 702 782-47
	Brushed Dark Platinum	36 702 782-99

Required miscellaneous



Concealed wall-mounted mixer centred spout - 35 700 970 90
 •min. recess depth mm
 •max. recess depth mm

Required miscellaneous

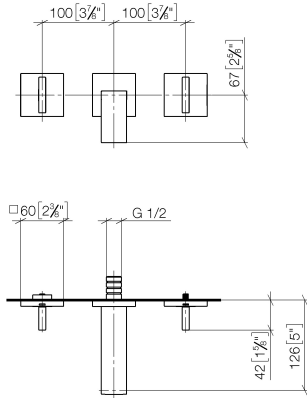


Concealed wall-mounted mixer variable positioning - 35 720 970 90
 •min. recess depth mm
 •max. recess depth mm

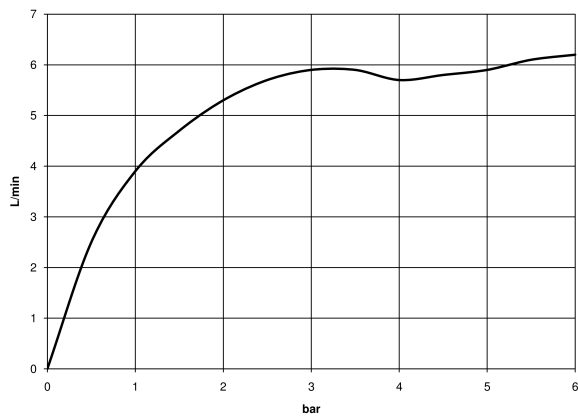


MEM Wall-mounted basin mixer without pop-up waste - Brushed Champagne (22kt Gold)

36 702 782
mm [inches]



Flow rate chart



Codes & Standards

DIN 4109

ISO 3822

Ü-Zeichen



MEM Wall-mounted basin mixer without pop-up waste - Brushed Champagne
(22kt Gold)

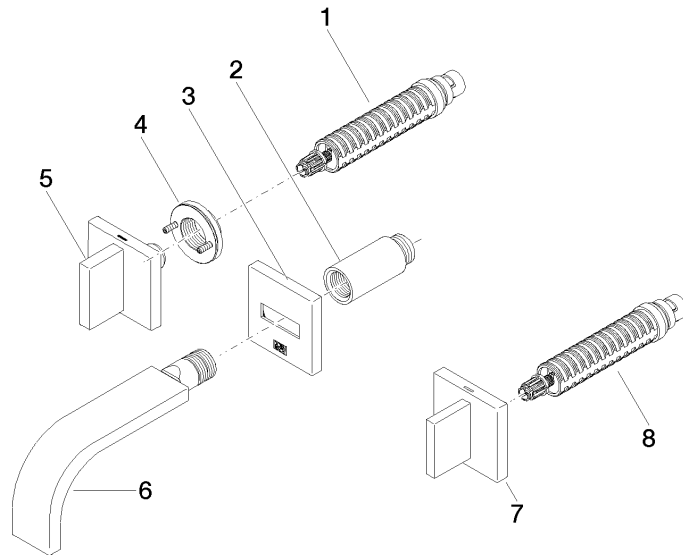
36 702 782

Certificates

LGA_38

**MEM Wall-mounted basin mixer without pop-up waste - Brushed Champagne
(22kt Gold)**

36 702 782



Spare parts list

No.	Item Number	Name	Quantity used	Delivery time
1	90 90 03 156 00 90	top	1	2
2	09 24 03 081 10 90	extension	1	2
3	90 27 78 035 00-46	rosette	1	30
4	90 21 02 108 00 90	disc	1	2
5	90 20 78 002 07-46	handle (hot)	1	30
6	90 28 22 357 00-46	spout	1	30
7	90 20 78 002 06-46	handle (cold)	1	30
8	90 90 03 157 00 90	top	1	2