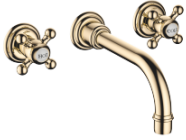




MADISON Wall-mounted basin mixer without pop-up waste - Durabronz (23kt Gold)

MADISON

36 712 361



- 190mm projection
- fixed spout
- circular, air-enriched flow
- hole diameter valve 40 mm
- hole diameter spout 40 mm
- slide-on rosettes Ø 55 mm
- max. flow 7 l/min
- lead-free
- This product can help a building meet the requirements of Green Building Rating Systems, e.g. LEED®, BREEAM®, DGNB

| | | |
|--|-------------------------------|---------------|
| | Durabronz (23kt Gold) | 36 712 361-09 |
| | Chrome | 36 712 361-00 |
| | Brushed Platinum | 36 712 361-06 |
| | Platinum | 36 712 361-08 |
| | Brushed Durabronz (23kt Gold) | 36 712 361-28 |
| | Brushed Dark Platinum | 36 712 361-99 |

Required miscellaneous



- Concealed wall-mounted mixer centred spout -** 35 700 970 90
- max. recess depth 145 mm
 - min. recess depth 85 mm

Required miscellaneous



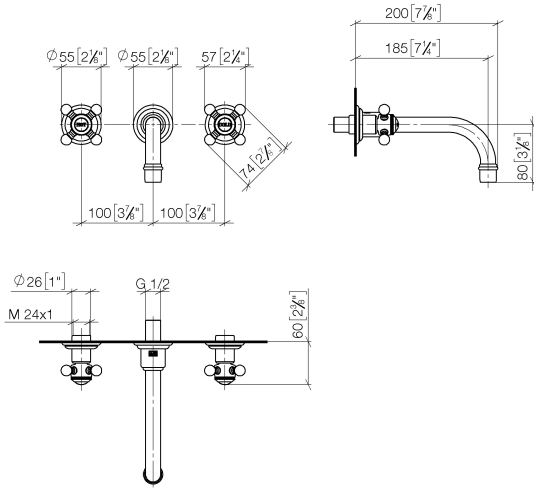
- Concealed wall-mounted mixer variable positioning -** 35 720 970 90
- max. recess depth 145 mm
 - min. recess depth 85 mm



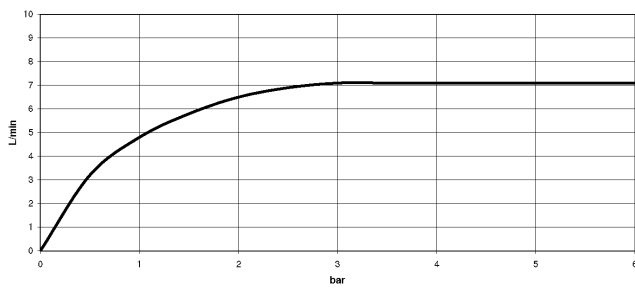
MADISON Wall-mounted basin mixer without pop-up waste - Durabronze (23kt Gold)

MADISON

36 712 361
mm [inches]



Flow rate chart



Codes & Standards

DIN 4109

ISO 3822

Ü-Zeichen



MADISON Wall-mounted basin mixer without pop-up waste - Durabronss (23kt Gold)

MADISON

36 712 361
Certificates

LGA_19

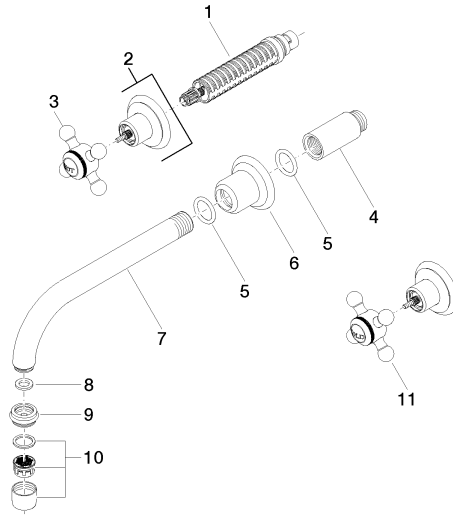


MADISON Wall-mounted basin mixer without pop-up waste - Durabronze (23kt Gold)

MADISON

36 712 361

Product version from 7/3/2016



36 712 361-FF



MADISON Wall-mounted basin mixer without pop-up waste - Durabronss (23kt Gold)

MADISON

36 712 361

Spare parts list

Product version from 7/3/2016

| No. | Item Number | Name | Quantity used | Delivery time |
|-----|--------------------|------|---------------|---------------|
| | 90 90 03 157 00 90 | top | 13 | 2 |