

META Wall-mounted single-lever basin mixer without pop-up waste - Brushed Bronze

META

36 860 660



- 190mm projection
- fixed spout
- circular, air-enriched flow
- hole diameter spout 37 mm
- hole diameter single-lever mixer 57 mm
- rosette for spout Ø 55mm
- rosette for mixer Ø 78mm
- max. flow 5.7 l/min
- lead-free
- This product can help a building meet the requirements of Green Building Rating Systems, e.g. LEED®, BREEAM®, DGNB
- WRAS 2107018

	Brushed Bronze	36 860 660-42
	Chrome	36 860 660-00
	Brushed Platinum	36 860 660-06
	Dark Chrome	36 860 660-19
	Light Gold	36 860 660-26
	Brushed Light Gold	36 860 660-27
	Matte Black	36 860 660-33
	Brushed Champagne (22kt Gold)	36 860 660-46
	Champagne (22kt Gold)	36 860 660-47
	Brushed Chrome	36 860 660-93
	Brushed Dark Platinum	36 860 660-99

Required miscellaneous



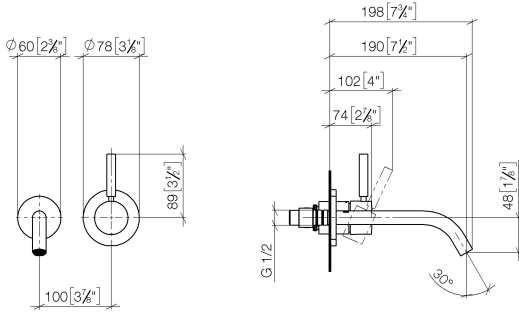
Concealed wall-mounted single-lever mixer mixer on right - 35 816 970 90
 •NOTE:Not suitable for concealed installation.Connection by means of angle valves, mounted with screws to back wall.

Required miscellaneous



Concealed wall-mounted single-lever mixer - 35 860 970 90
 •min. recess depth 80 mm
 •max. recess depth 95 mm

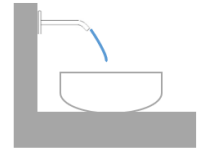
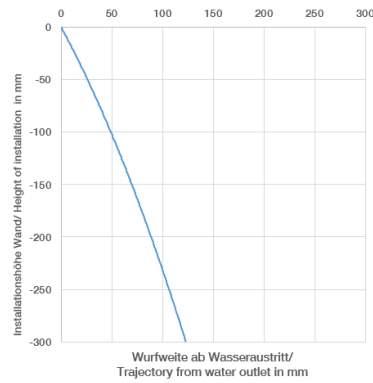
36 860 660
mm [inches]



Flow rate chart



Trajectory diagram



Codes & Standards

EN 817

Scottish Water
Byelaws

UK Water Supply
Regulations



**META Wall-mounted single-lever basin mixer without pop-up waste - Brushed
Bronze**

META

36 860 660

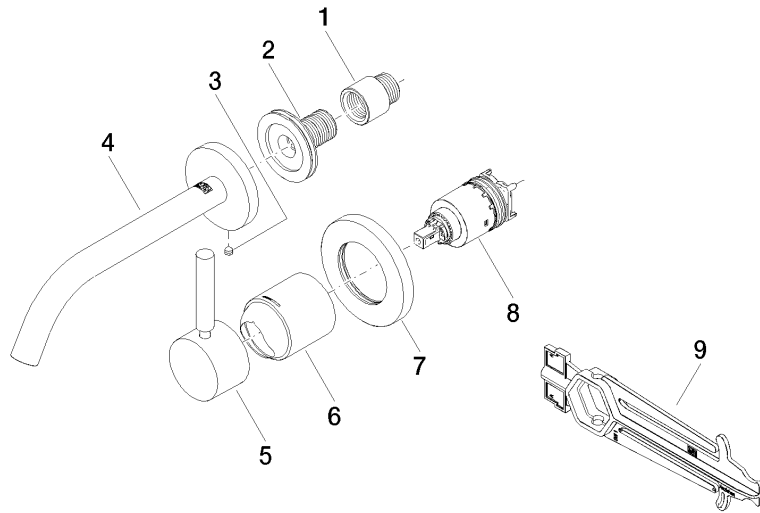
Certificates

WRAS_2107

DVGW_DW-
6512DN0

36 860 660

Product version from 7/1/2023





META Wall-mounted single-lever basin mixer without pop-up waste - Brushed Bronze

META

36 860 660

Spare parts list

Product version from 7/1/2023

No.	Item Number	Name	Quantity used	Delivery time
	09 24 03 072 10 90	nipple	9	2