

# MEM Wall-mounted single-lever basin mixer without pop-up waste - Brushed Champagne (22kt Gold)

MEM

36 860 782



- 177mm projection
- fixed spout
- rectangular, air-enriched flow
- hole diameter spout 37 mm
- hole diameter single-lever mixer 57 mm
- rosette for spout 80 x 60mm
- rosette for mixer 80 x 80mm
- max. flow 5.7 l/min
- lead-free
- This product can help a building meet the requirements of Green Building Rating Systems, e.g. LEED®, BREEAM®, DGNB
- WRAS 2107018

	Brushed Champagne (22kt Gold)	36 860 782-46
	Chrome	36 860 782-00
	Brushed Platinum	36 860 782-06
	Platinum	36 860 782-08
	Dark Chrome	36 860 782-19
	Brushed Durabronze (23kt Gold)	36 860 782-28
	Champagne (22kt Gold)	36 860 782-47
	Brushed Dark Platinum	36 860 782-99

## Required miscellaneous



**Concealed wall-mounted single-lever mixer on right -** 35 816 970 90

- NOTE:Not suitable for concealed installation. Connection by means of angle valves, mounted with screws to back wall.

## Required miscellaneous



**Concealed wall-mounted single-lever mixer -** 35 860 970 90

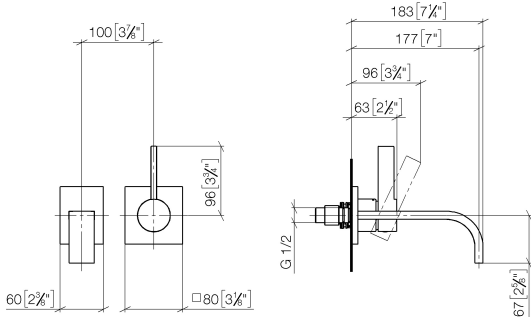
- max. recess depth 95 mm
- min. recess depth 80 mm



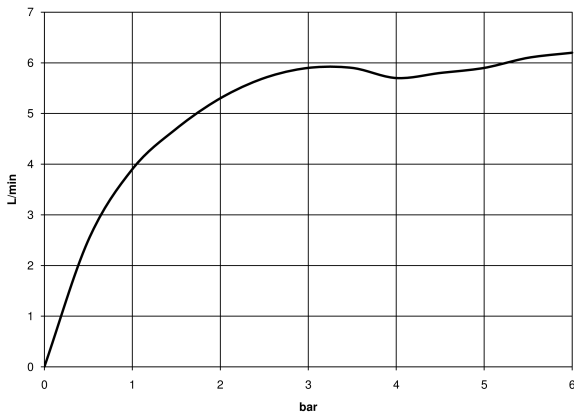
# MEM Wall-mounted single-lever basin mixer without pop-up waste - Brushed Champagne (22kt Gold)

MEM

36 860 782  
mm [inches]



## Flow rate chart



## Codes & Standards

EN 817

Scottish Water  
Byelaws

UK Water Supply  
Regulations



MEM Wall-mounted single-lever basin mixer without pop-up waste - Brushed  
Champagne (22kt Gold)

---

MEM

36 860 782

Certificates

---

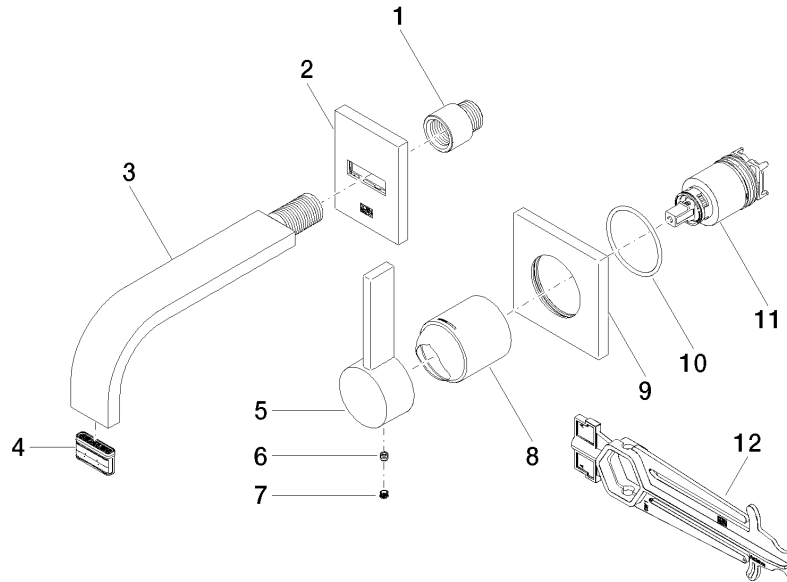
WRAS\_2107

DVGW\_DW-  
6512DN0

MEM Wall-mounted single-lever basin mixer without pop-up waste - Brushed  
Champagne (22kt Gold)

MEM

36 860 782





MEM Wall-mounted single-lever basin mixer without pop-up waste - Brushed  
Champagne (22kt Gold)

---

MEM

36 860 782

**Spare parts list**

No.	Item Number	Name	Quantity used	Delivery time
	09 24 03 072 10 90	nipple	12	2