

36 860 809



- 190mm projection
- fixed spout
- circular, air-enriched flow
- hole diameter spout 37 mm
- hole diameter single-lever mixer 57 mm
- rosette for single-lever mixer Ø 78mm
- rosette for spout Ø 60mm
- max. flow 5.7 l/min
- lead-free
- This product can help a building meet the requirements of Green Building Rating Systems, e.g. LEED®, BREEAM®, DGNB
- WRAS 2107018

	Chrome	36 860 809-00
	Brushed Platinum	36 860 809-06
	Platinum	36 860 809-08
	Dark Chrome	36 860 809-19
	Brushed Durabronze (23kt Gold)	36 860 809-28
	Brushed Bronze	36 860 809-42
	Brushed Champagne (22kt Gold)	36 860 809-46
	Champagne (22kt Gold)	36 860 809-47
	Brushed Dark Platinum	36 860 809-99

**Required miscellaneous**



**Concealed wall-mounted single-lever mixer on right -** 35 816 970 90  
 •NOTE:Not suitable for concealed installation.Connection by means of angle valves, mounted with screws to back wall.

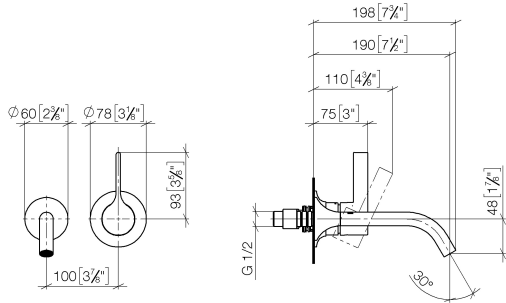
**Required miscellaneous**



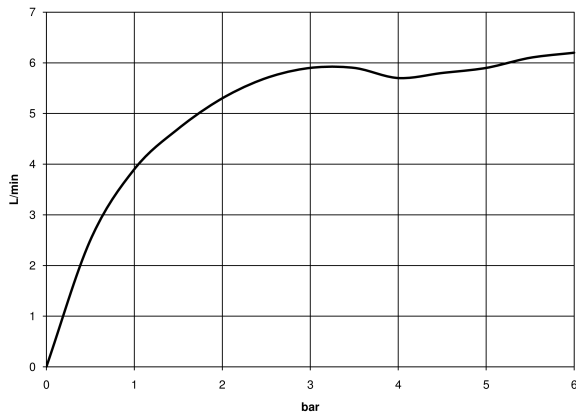
**Concealed wall-mounted single-lever mixer -** 35 860 970 90  
 •max. recess depth 95 mm  
 •min. recess depth 80 mm

36 860 809

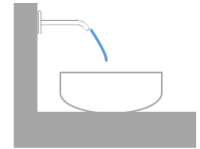
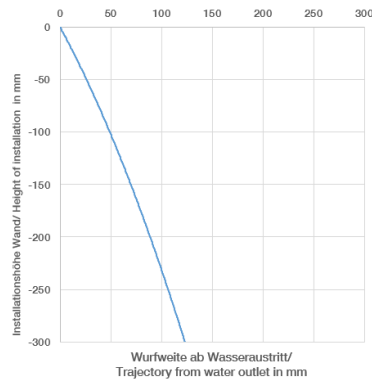
mm [inches]



Flow rate chart



Trajectory diagram



Codes & Standards

DIN 4109

EN 817

ISO 3822

Scottish Water  
Byelaws

UK Water Supply  
Regulations

Ü-Zeichen



VAIA Wall-mounted single-lever basin mixer without pop-up waste - Chrome

---

VAIA

36 860 809

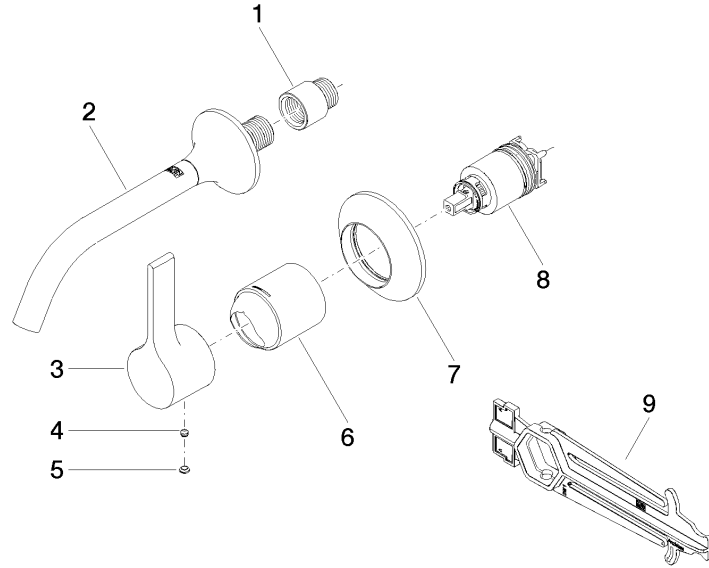
Certificates

---

WRAS\_2107

LGA\_29

DVGW\_DW-  
6512DN0





VAIA Wall-mounted single-lever basin mixer without pop-up waste - Chrome

VAIA

36 860 809

**Spare parts list**

No.	Item Number	Name	Quantity used	Delivery time
	09 24 03 072 10 90	nipple	9	2