

META Washstand fitting with electronic opening and closing function without pop-up waste - Brushed Chrome

META

44 515 660



- Infrared sensor technology
- 125mm projection
- height of mixer 140 mm
- height up to aerator 52 mm
- hole diameter 35 mm
- fixed spout
- max. flow 5.7 l/min
- circular, air-enriched flow
- suitable for thermal disinfection
- Automatic shut-off after pre-set time is reached
- Direct temperature control at faucet
- Battery-powered (batteries not included)
- 1x CR-P2 battery required
- lead-free
- 2x screw-in M 8 x 1 pressure hose, leak-tested
- This product can help a building meet the requirements of Green Building Rating Systems, e.g. LEED®, BREEAM®, DGNB
- WRAS 2212021

Batteries not included

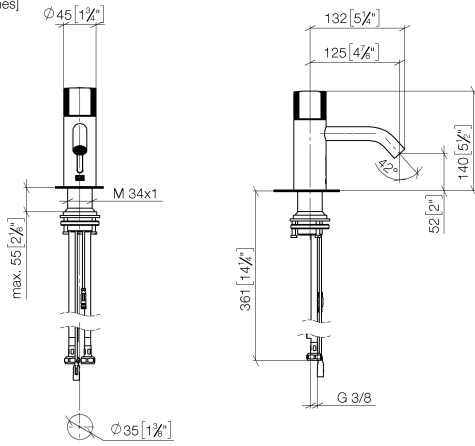
	Brushed Chrome	44 515 660-93
	Chrome	44 515 660-00
	Brushed Platinum	44 515 660-06
	Platinum	44 515 660-08
	Dark Chrome	44 515 660-19
	Light Gold	44 515 660-26
	Brushed Light Gold	44 515 660-27
	Brushed Durabronze (23kt Gold)	44 515 660-28
	Matte Black	44 515 660-33
	Brushed Bronze	44 515 660-42
	Brushed Champagne (22kt Gold)	44 515 660-46
	Champagne (22kt Gold)	44 515 660-47
	Brushed Dark Platinum	44 515 660-99

META Washstand fitting with electronic opening and closing function without pop-up waste - Brushed Chrome

META

44 515 660

mm [inches]



Flow rate chart



Codes & Standards

DIN 4109

ISO 3822

Scottish Water
Byelaws

UK Water Supply
Regulations

Ü-Zeichen



META Washstand fitting with electronic opening and closing function without
pop-up waste - Brushed Chrome

META

44 515 660
Certificates

LGA_38

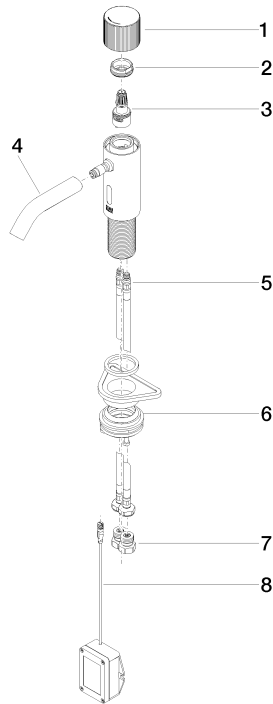
WRAS_2212

META Washstand fitting with electronic opening and closing function without pop-up waste - Brushed Chrome

META

44 515 660

Parts for other finishes can be found here: [Chrome](#)





META Washstand fitting with electronic opening and closing function without
pop-up waste - Brushed Chrome

META

44 515 660

Spare parts list