


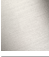

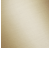


CL.1 Tissue holder without cover - Chrome

CL.1

83 500 705

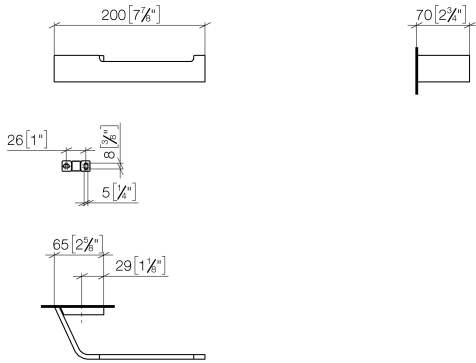


- width 200mm
- height 35 mm
- 70mm projection

| | | |
|--|-------------------------------|---------------|
|  | Chrome | 83 500 705-00 |
|  | Brushed Platinum | 83 500 705-06 |
|  | Dark Chrome | 83 500 705-19 |
|  | Brushed Champagne (22kt Gold) | 83 500 705-46 |
|  | Champagne (22kt Gold) | 83 500 705-47 |
|  | Brushed Dark Platinum | 83 500 705-99 |

83 500 705

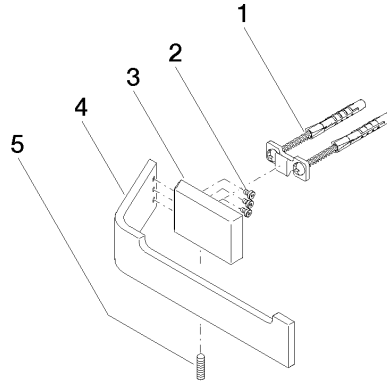
mm [inches]



83 500 705

Product version from 3/9/2015

Parts for other
finishes can be found
here: Brushed
Platinum





CL.1 Tissue holder without cover - Chrome

CL.1

83 500 705

Spare parts list

Product version from 3/9/2015

| No. | Item Number | Name | Quantity used | Delivery time |
|-----|--------------------|------------|---------------|---------------|
| | 05 17 20 758 00 90 | fixing set | 7 | 2 |