

Flush plate For flush-mounted tanks from Geberit round - Matte Black

12 665 979 Product version from 4/1/2024



- Cover plate 6-5/8" x 9-5/8" x 1/2"
- Mechanical flush plate with manual activation
- For dual flush systems
- Incl. mounting frame, actuator rods and mounting elements
- Sound-insulated push rods, quickly adjustable without tools
- Compatible with all tanks in the Geberit Sigma series from 2001 onwards

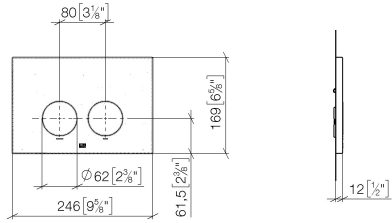
Not compatible with GEBERIT Duo Fresh module

	Matte Black	12 665 979-33
	Chrome	12 665 979-00
	Brushed Platinum	12 665 979-06
	Platinum	12 665 979-08
	Durabronze (23kt Gold)	12 665 979-09
	Dark Chrome	12 665 979-19
	Light gold	12 665 979-26
	Brushed Light Gold	12 665 979-27
	Brushed Durabronze (23kt Gold)	12 665 979-28
	Brushed Bronze	12 665 979-42
	Brushed Champagne (22kt Gold)	12 665 979-46
	Champagne (22kt Gold)	12 665 979-47
	Brushed Chrome	12 665 979-93
	Brushed Dark Platinum	12 665 979-99

Flush plate For flush-mounted tanks from Geberit round - Matte Black

12 665 979 Product version from 4/1/2024

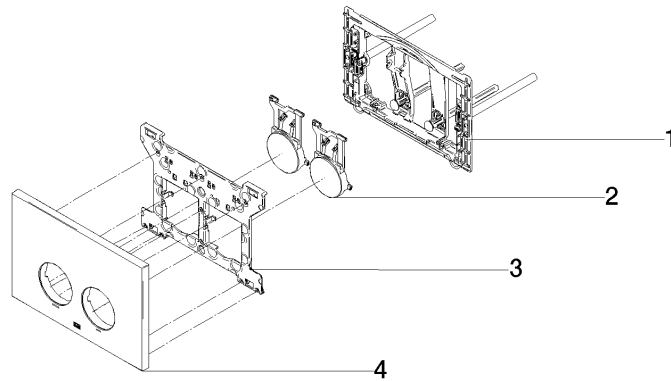
mm [inches]



Flush plate For flush-mounted tanks from Geberit round - Matte Black

12 665 979 Product version from 4/1/2024

Parts for other finishes can be found here: [Chrome](#)



Spare parts list

Number	Item Number	Designation	Number of units	Lead time
1	90 28 01 030 00 90	base	1	2
2	90 20 97 100 00-33	button	2	30
3	90 28 10 212 00 90	base	1	2
4	90 11 97 012 00-33	cover	1	30