

Flush plate For flush-mounted tanks from Geberit , angular - Chrome

12 665 980 Product version from 4/1/2024



- Cover plate 6-5/8" x 9-5/8" x 1/2"
- Mechanical flush plate with manual activation
- For dual flush systems
- Incl. mounting frame, actuator rods and mounting elements
- Sound-insulated push rods, quickly adjustable without tools
- Compatible with all tanks in the Geberit Sigma series from 2001 onwards

Not compatible with GEBERIT Duo Fresh module

	Chrome	12 665 980-00
	Brushed Platinum	12 665 980-06
	Platinum	12 665 980-08
	Durabrace (23kt Gold)	12 665 980-09
	Dark Chrome	12 665 980-19
	Light gold	12 665 980-26
	Brushed Light Gold	12 665 980-27
	Brushed Durabrace (23kt Gold)	12 665 980-28
	Matte Black	12 665 980-33
	Brushed Bronze	12 665 980-42
	Brushed Champagne (22kt Gold)	12 665 980-46
	Champagne (22kt Gold)	12 665 980-47
	Brushed Chrome	12 665 980-93
	Brushed Dark Platinum	12 665 980-99

Flush plate For flush-mounted tanks from Geberit , angular - Chrome

12 665 980 Product version from 4/1/2024

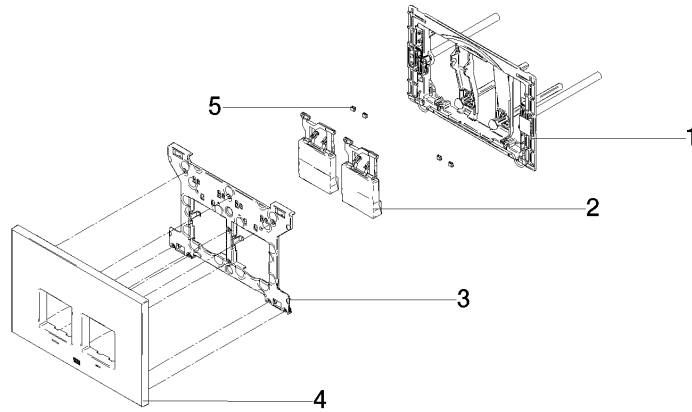
mm [inches]



Flush plate For flush-mounted tanks from Geberit , angular - Chrome

12 665 980 Product version from 4/1/2024

Parts for other finishes can be found here: [Brushed](#)
[Platinum](#)



Spare parts list

Number	Item Number	Designation	Number of units	Lead time
1	90 28 01 030 00 90	base	1	2
2	90 20 98 000 00-00	button	2	10
3	90 28 10 212 00 90	base	2	2
4	90 11 98 012 00-00	cover	4	10
5	90 14 05 090 00 90	ring	1	60