



WATER FALL Cascade spout with PEARLSTREAM for wall-mounted installation - Light gold

13 425 979 Product version from 10/1/2023



- 7/8" Projection
- Pearlstream
- Plate 9-1/2" x 2-3/8"
- Connection 1/2", can be cut to length
- Plug-in connection mounting
- Flow rate max. 2.5 gpm (at 3 bar)

	Light gold	13 425 979-26
	Chrome	13 425 979-00
	Brushed Platinum	13 425 979-06
	Platinum	13 425 979-08
	Dark Chrome	13 425 979-19
	Brushed Light Gold	13 425 979-27
	Brushed Durabrass (23kt Gold)	13 425 979-28
	Matte Black	13 425 979-33
	Brushed Bronze	13 425 979-42
	Brushed Champagne (22kt Gold)	13 425 979-46
	Champagne (22kt Gold)	13 425 979-47
	Brushed Chrome	13 425 979-93
	Brushed Dark Platinum	13 425 979-99

Required article

Rough-in adapter -

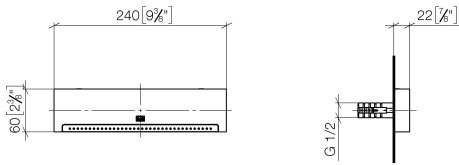
35 080 970-90
0010



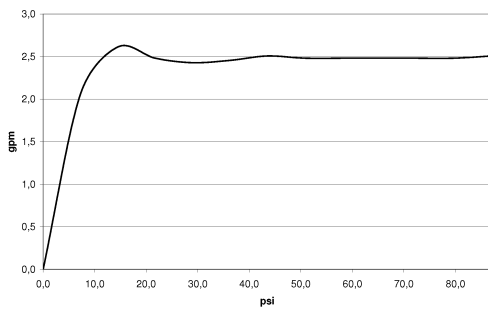


WATER FALL Cascade spout with PEARLSTREAM for wall-mounted installation - Light gold

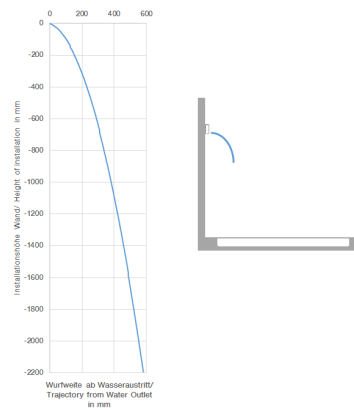
13 425 979 Product version from 10/1/2023
mm [inches]



Flow rate chart



Trajectory length diagram



Codes & Standards

ASME
A112.18.1/CSA
B125.1

DIN 4109

ISO 3822

Ü-Zeichen



WATER FALL Cascade spout with PEARLSTREAM for wall-mounted installation - Light gold

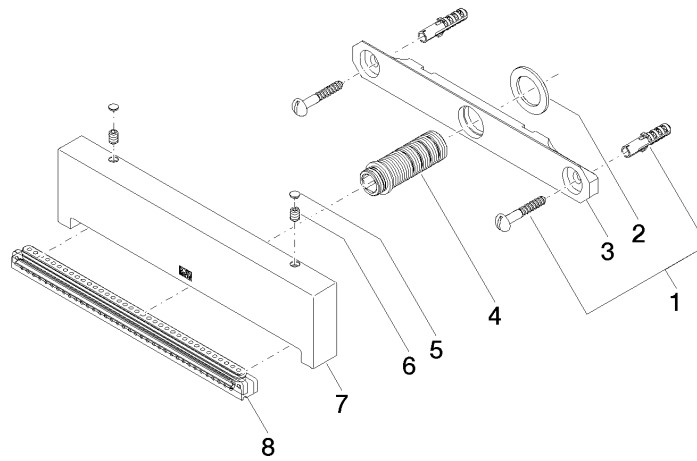
13 425 979 Product version from 10/1/2023

Certificates

LGA_19

WATER FALL Cascade spout with PEARLSTREAM for wall-mounted installation - Light gold

13 425 979 Product version from 10/1/2023



Spare parts list

Number	Item Number	Designation	Number of units	Lead time
1	04 30 31 024 01 90	fixing set	1	2
2	09 14 05 009 90	seal	1	2
3	09 17 97 053 90	holder	1	2
4	90 24 03 199 00 90	connection	1	2
5	90 31 20 087 00-26	plug	1	30
6	09 31 11 144 90	pin	2	2
7	09 17 01 185 20-26	spout	1	60
8	90 29 03 071 00 90	insert	1	2