



## WATER FALL Cascade spout with PEARLSTREAM for wall-mounted installation - Brushed Bronze

13 425 979 Product version from 10/1/2023



- 7/8" Projection
- Pearlstream
- Plate 9-1/2" x 2-3/8"
- Connection 1/2", can be cut to length
- Plug-in connection mounting
- Flow rate max. 2.5 gpm (at 3 bar)

	Brushed Bronze	13 425 979-42
	Chrome	13 425 979-00
	Brushed Platinum	13 425 979-06
	Platinum	13 425 979-08
	Dark Chrome	13 425 979-19
	Light gold	13 425 979-26
	Brushed Light Gold	13 425 979-27
	Brushed Durabronze (23kt Gold)	13 425 979-28
	Matte Black	13 425 979-33
	Brushed Champagne (22kt Gold)	13 425 979-46
	Champagne (22kt Gold)	13 425 979-47
	Brushed Chrome	13 425 979-93
	Brushed Dark Platinum	13 425 979-99

### Required article

Rough-in adapter -

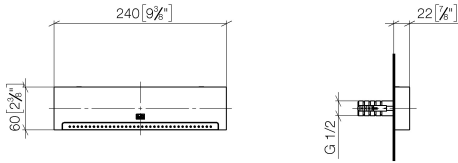
35 080 970-90  
0010



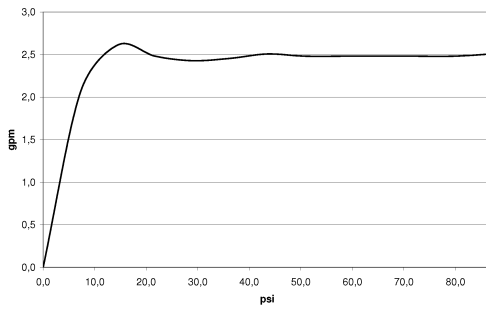


# WATER FALL Cascade spout with PEARLSTREAM for wall-mounted installation - Brushed Bronze

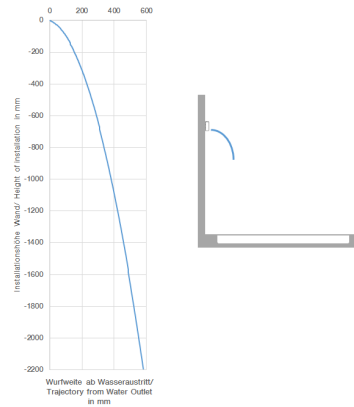
13 425 979 Product version from 10/1/2023  
mm [inches]



Flow rate chart



Trajectory length diagram



## Codes & Standards

ASME A112.18.1	ASME A112.18.1/CSA B125.1	cUPC	DIN 4109
ISO 3822	Ü-Zeichen		



## WATER FALL Cascade spout with PEARLSTREAM for wall-mounted installation - Brushed Bronze

---

13 425 979 Product version from 10/1/2023

Certificates

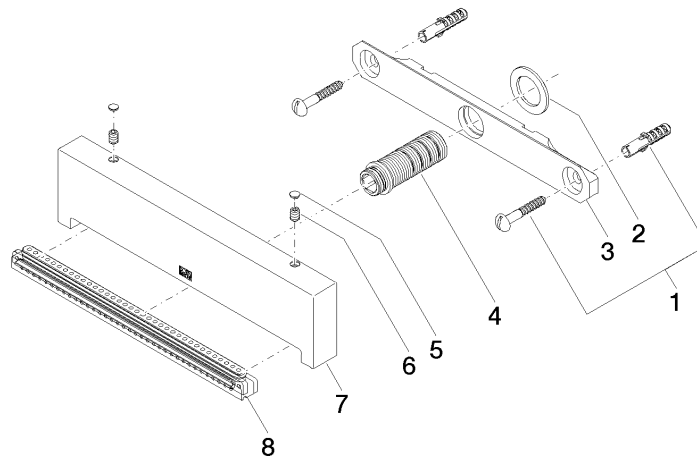
---

LGA\_19

IAPMO\_4976

**WATER FALL Cascade spout with PEARLSTREAM for wall-mounted installation - Brushed Bronze**

13 425 979 Product version from 10/1/2023



**Spare parts list**

Number	Item Number	Designation	Number of units	Lead time
1	04 30 31 024 01 90	fixing set	1	2
2	09 14 05 009 90	seal	1	2
3	09 17 97 053 90	holder	1	2
4	90 24 03 199 00 90	connection	1	2
5	90 31 20 087 00-42	plug	1	30
6	09 31 11 144 90	pin	2	2
7	09 17 01 185 20-42	spout	1	60
8	90 29 03 071 00 90	insert	1	2