



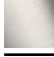





CL.1 Tub spout without diverter for deck-mounted installation - Champagne (22kt Gold)

13 612 705 Product version from 5/27/2021



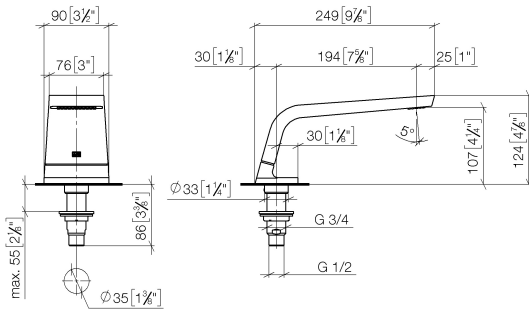
- 7-7/8" Projection
- Rectangular aerator with 55 individual streams
- Total height 4-7/8"
- Height to aerator/spout outlet 4-1/4"
- 1-3/8" hole diameter
- 1/2" connection
- Water flow rate limited to max. 6.5 gpm

| | | |
|---|-------------------------------|---------------|
|  | Champagne (22kt Gold) | 13 612 705-47 |
|  | Chrome | 13 612 705-00 |
|  | Brushed Platinum | 13 612 705-06 |
|  | Dark Chrome | 13 612 705-19 |
|  | Brushed Champagne (22kt Gold) | 13 612 705-46 |
|  | Brushed Dark Platinum | 13 612 705-99 |

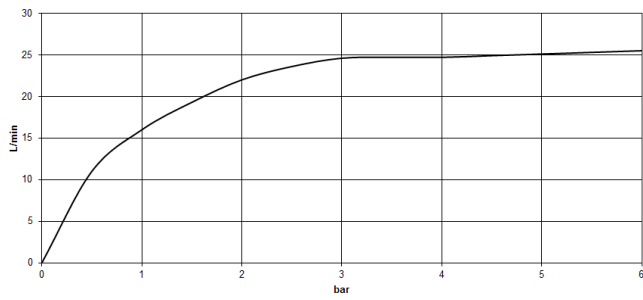


CL.1 Tub spout without diverter for deck-mounted installation - Champagne (22kt Gold)

13 612 705 Product version from 5/27/2021
mm [inches]



Flow rate chart



Codes & Standards

ASME
A112.18.1/CSA
B125.1

DIN 4109

ISO 3822

Ü-Zeichen



CL.1 Tub spout without diverter for deck-mounted installation - Champagne (22kt Gold)

13 612 705 Product version from 5/27/2021

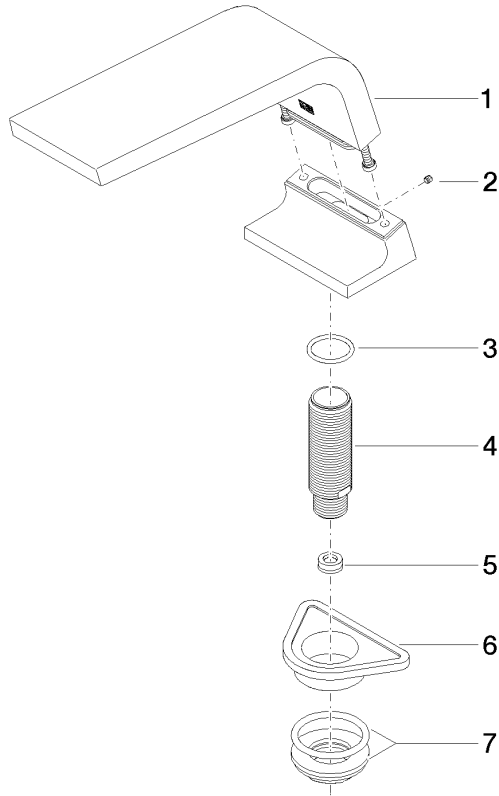
Certificates

LGA_28

**CL.1 Tub spout without diverter for deck-mounted installation - Champagne
(22kt Gold)**

13 612 705 Product version from 5/27/2021

Parts for other
finishes can be found
here: [Chrome](#)



Spare parts list

| Number | Item Number | Designation | Number of units | Lead time |
|--------|--------------------|--------------|-----------------|-----------|
| 1 | 90 11 70 007 00-47 | spout | 1 | 30 |
| 2 | 09 31 11 099 90 | pin | 1 | 2 |
| 3 | 09 14 10 009 90 | seal | 1 | 2 |
| 4 | 09 30 01 117 90 | connection | 1 | 2 |
| 5 | 09 23 01 057 90 | flow reducer | 1 | 2 |
| 6 | 09 18 40 090 90 | sleeve | 1 | 2 |
| 7 | 04 23 10 004 03 90 | fixing set | 1 | 2 |