




VAIA Tub spout without diverter for deck-mounted installation - Chrome

13 612 809 Product version from 3/13/2017



- 8-5/8" Projection
- Round aerated stream
- Total height 13-5/8"
- Height to aerator/spout outlet 9-5/8"
- 1-1/4" hole diameter
- Flange diameter 2-3/8"
- 1/2" connection
- Water flow rate limited to max. 5.7 gpm

Internal backflow preventer.

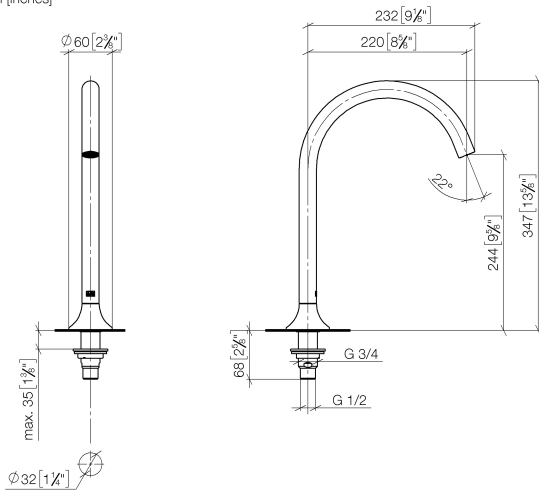
 Chrome	13 612 809-00
Brushed Bronze	13 612 809-42
Brushed champagne (22kt gold)	13 612 809-46
Champagne (22kt Gold)	13 612 809-47



VAIA Tub spout without diverter for deck-mounted installation - Chrome

13 612 809 Product version from 3/13/2017

mm [inches]



Flow rate chart



Codes & Standards

ASME A112.18.1

ASME
A112.18.1/CSA
B125.1

cUPC



VAIA Tub spout without diverter for deck-mounted installation - Chrome

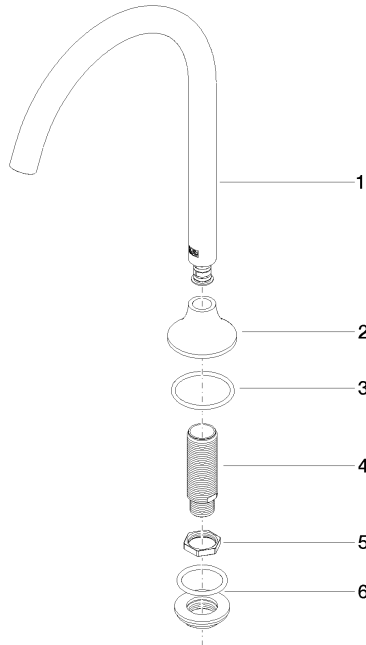
13 612 809 Product version from 3/13/2017

Certificates

IAPMO_4976

VAIA Tub spout without diverter for deck-mounted installation - Chrome

13 612 809 Product version from 3/13/2017



Spare parts list

Number	Item Number	Designation	Number of units	Lead time
1	90 28 22 316 00-00	spout	1	10
2	09 27 80 014-00	rosette	1	10
3	09 14 10 084 90	seal	1	2
4	90 30 01 117 90	90300111790	1	-
Spare part can no longer be ordered, please order the replacement item				
5	09 23 10 127 90	nut	1	2
6	04 23 10 004 04 90	fixing set	1	2
7	90 17 11 020 10 90	distributor	1	2
8	90 23 10 012 00 90	gasket kit	1	2