








MEM Tub spout without diverter for freestanding installation - Chrome

13 672 780 Product version from 9/30/2005



- 11" Projection
- Cascade
- Total height 32-5/8" - 35-3/8"
- Height to aerator/spout outlet 26-1/8" - 28-7/8"
- Flange 5-1/8" x 5-1/8"
- Water flow rate limited to max. 12.6 gpm

	Chrome	13 672 780-00
	Brushed Platinum	13 672 780-06
	Platinum	13 672 780-08
	Dark Chrome	13 672 780-19
	Brushed Durabronze (23kt Gold)	13 672 780-28
	Brushed Champagne (22kt Gold)	13 672 780-46
	Champagne (22kt Gold)	13 672 780-47

Required article

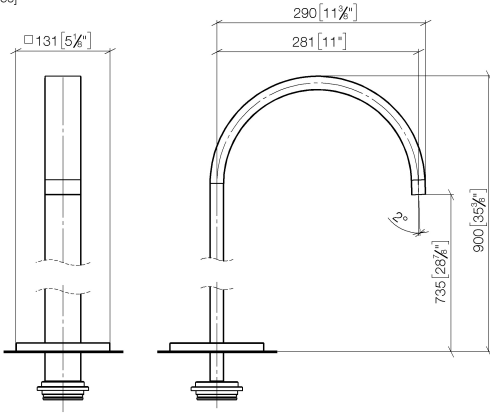


- Floor mounting rough set -** 35 949 970-90
- Max. rough in depth " 0010
 - Min. rough in depth "

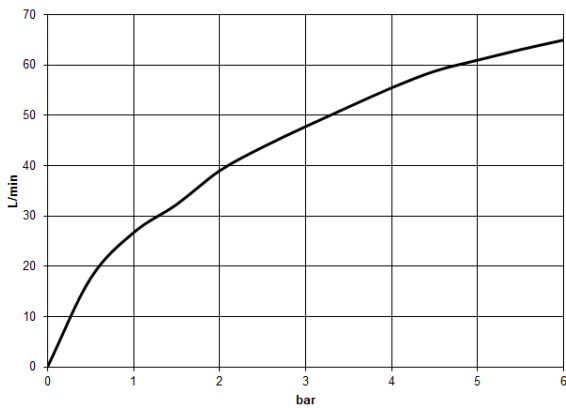
MEM Tub spout without diverter for freestanding installation - Chrome

13 672 780 Product version from 9/30/2005

mm [inches]



Flow rate chart



Codes & Standards

ASME A112.18.1	ASME A112.18.1/CSA B125.1	cUPC	DIN 4109
ISO 3822	Scottish Water Byelaws	UK Water Supply Regulations	Ü-Zeichen



MEM Tub spout without diverter for freestanding installation - Chrome

13 672 780 Product version from 9/30/2005

Certificates

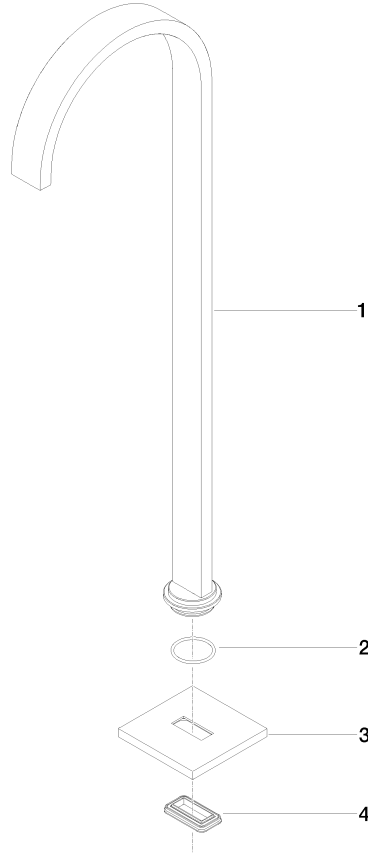
IAPMO_4976

WRAS_2005

LGA_18

MEM Tub spout without diverter for freestanding installation - Chrome

13 672 780 Product version from 9/30/2005



Spare parts list

Number	Item Number	Designation	Number of units	Lead time
1	04 28 22 183 00-00	spout	1	60
2	09 14 10 084 90	seal	1	2
3	09 27 78 022-00	rosette	1	10
4	09 14 03 106 90	seal	1	2