



SYMETRICS Lavatory spout, wall-mounted without drain - Chrome

13 805 980 Product version from 4/30/2009



- 8-5/8" Projection
- Rigid spout
- Round aerated stream
- 1-1/2" hole diameter
- Flange 2-3/8" x 2-3/8"
- 1/2" connection
- Plug-in connection mounting
- Water flow rate limited to max. 1.2 gpm
- lead-free

Required article

Rough-in adapter -

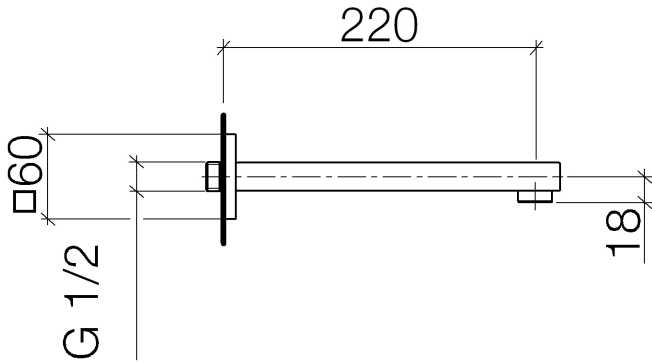
35 080 970-90
0010





SYMETRICS Lavatory spout, wall-mounted without drain - Chrome

13 805 980 Product version from 4/30/2009



Codes & Standards

ASME A112.18.1	ASME A112.18.1/CSA B125.1	California Energy Commission (CEC)	cUPC
EPA WaterSense	NSF/ANSI 372	NSF372	NSF61

Water Sense

WaterSense

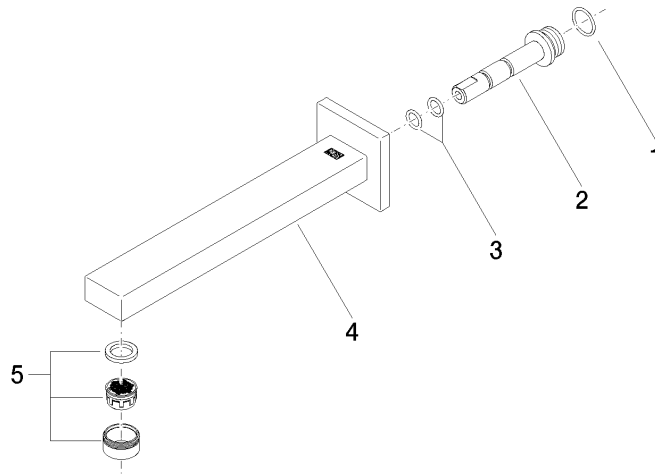


Certificates

IAPMO_N-4	IAPMO_4976	IAPMO_8834	IAPMO_6
-----------	------------	------------	---------

SYMETRICS Lavatory spout, wall-mounted without drain - Chrome

13 805 980 Product version from 4/30/2009



Spare parts list

Number	Item Number	Designation	Number of units	Lead time
1	09 14 10 053 90	seal	1	2
2	09 24 04 135 90	nipple	1	2
3	09 14 10 008 90	seal	2	2
4	90 11 68 003 01-00	spout	1	10
5	90 23 01 029 05-00	aerator	1	10