



META Pillar tap cold water only - Chrome

17 500 660 Product version from 10/1/2023



- 4-1/8" Projection
- Rigid spout
- Round aerated stream
- Total height 5-3/8"
- Height to aerator/spout outlet 2-1/4"
- 1-3/8" hole diameter
- 1/2" connection
- Flange diameter 2"
- 2 x pressure hose with 3/8" compression fitting
- Water flow rate limited to max. 1.2 gpm
- lead-free
- This product can help a building meet the requirements of Green Building Rating Systems, e.g. LEED®, BREEAM®, DGNB

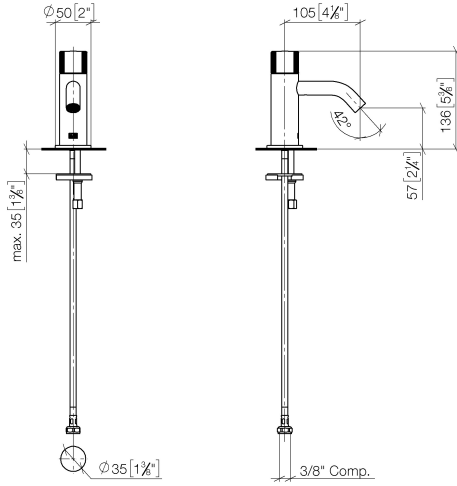
	Chrome	17 500 660-00 0010
	Brushed Platinum	17 500 660-06 0010
	Dark Chrome	17 500 660-19 0010
	Light gold	17 500 660-26 0010
	Brushed Light Gold	17 500 660-27 0010
	Matte Black	17 500 660-33 0010
	Brushed Bronze	17 500 660-42 0010
	Brushed Champagne (22kt Gold)	17 500 660-46 0010
	Champagne (22kt Gold)	17 500 660-47 0010
	Brushed Chrome	17 500 660-93 0010
	Brushed Dark Platinum	17 500 660-99 0010



META Pillar tap cold water only - Chrome

17 500 660 Product version from 10/1/2023

mm [inches]



Codes & Standards

ASME A112.18.1	ASME A112.18.1/CSA B125.1	California Energy Commission (CEC)	cUPC
EPA WaterSense	NSF/ANSI 372	NSF/ANSI/CAN 61	NSF372
NSF61	Water Sense	WaterSense	

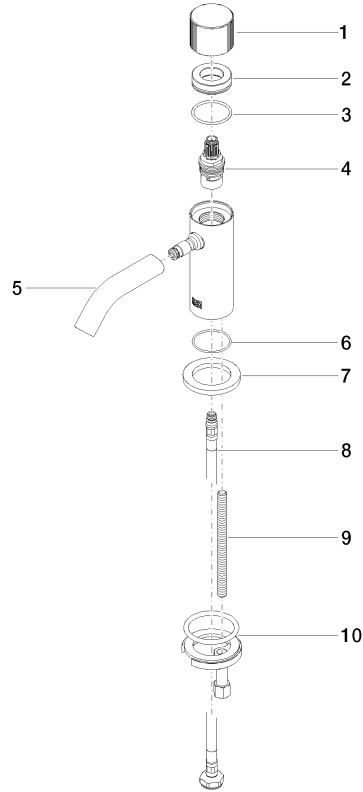


Certificates

IAPMO_N-4	IAPMO_8834	IAPMO_4976	IAPMO_6
-----------	------------	------------	---------

META Pillar tap cold water only - Chrome

17 500 660 Product version from 10/1/2023



Spare parts list

Number	Item Number	Designation	Number of units	Lead time
1	09 20 66 012-00	handle	1	10
2	09 21 02 307-00	cover	1	10
3	09 14 10 040 90	seal	1	2
4	90 90 03 135 00 90	top	1	2
5	90 11 06 212 01-00	spout	1	10
6	09 14 10 202 90	seal	1	2
7	09 27 66 006-00	rosette	1	10
8	04 30 04 102 00 90	Flexible supply line 3/8" -	1	2
9	09 31 11 012 90	pin	1	2
10	04 30 11 038 00 90	fixing set	1	2