



## META Pillar tap cold water only - Brushed Champagne (22kt Gold)

17 500 661 Product version from 7/1/2023



- 4-7/8" Projection
- Swiveling spout 360°
- Round aerated stream
- Total height 9-3/8"
- Height to aerator/spout outlet 6-5/8"
- 1-3/8" hole diameter
- 2 x pressure hose with 3/8" compression fitting
- Flange diameter 2"
- Water flow rate limited to max. 1.2 gpm
- lead-free
- This product can help a building meet the requirements of Green Building Rating Systems, e.g. LEED®, BREEAM®, DGNB

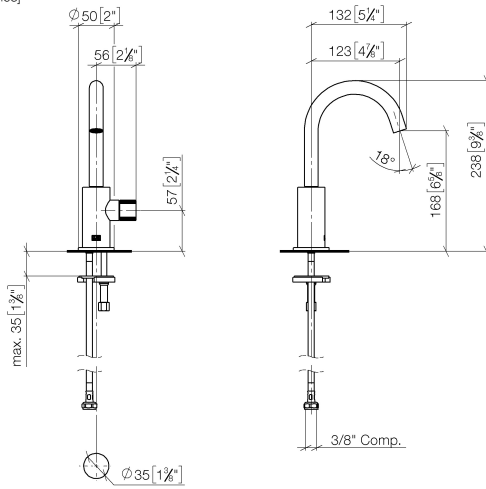
	Brushed Champagne (22kt Gold)	17 500 661-46 0010
	Chrome	17 500 661-00 0010
	Brushed Platinum	17 500 661-06 0010
	Dark Chrome	17 500 661-19 0010
	Light gold	17 500 661-26 0010
	Brushed Light Gold	17 500 661-27 0010
	Matte Black	17 500 661-33 0010
	Brushed Bronze	17 500 661-42 0010
	Champagne (22kt Gold)	17 500 661-47 0010
	Brushed Chrome	17 500 661-93 0010
	Brushed Dark Platinum	17 500 661-99 0010



## META Pillar tap cold water only - Brushed Champagne (22kt Gold)

17 500 661 Product version from 7/1/2023

mm [inches]



### Codes & Standards

ASME A112.18.1	ASME A112.18.1/CSA B125.1	California Energy Commission (CEC)	cUPC
NSF/ANSI 372	NSF/ANSI/CAN 61	NSF372	NSF61

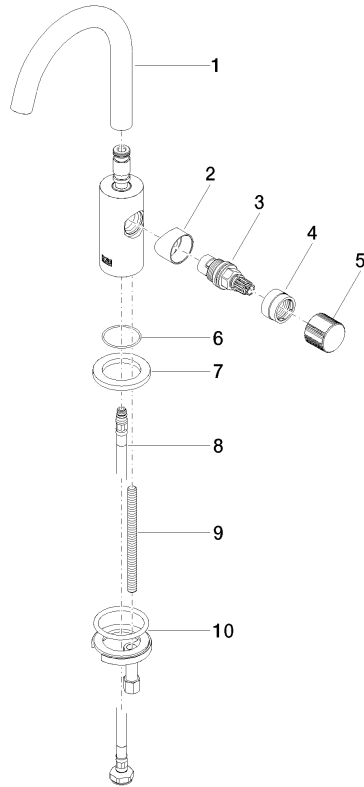
### Certificates

IAPMO\_N-4      IAPMO\_4976      IAPMO\_6

**META Pillar tap cold water only - Brushed Champagne (22kt Gold)**

17 500 661 Product version from 7/1/2023

Parts for other finishes can be found here: [Chrome](#)



**Spare parts list**

Number	Item Number	Designation	Number of units	Lead time
1	90 28 22 312 01-46	spout	1	30
2	09 18 20 221-46	base	1	-
Spare part can no longer be ordered, please order the replacement item				
3	90 90 03 131 01 90	top	1	2
4	09 24 04 533-46	nut	1	60
5	09 20 66 013-46	handle	1	60
6	09 14 10 202 90	seal	1	2
7	09 27 66 006-46	rosette	1	60
8	04 30 04 102 00 90	Flexible supply line 3/8" -	1	2
9	09 31 11 012 90	pin	1	2
10	04 30 11 038 00 90	fixing set	1	2