



META Pillar tap cold water only - Brushed Light Gold

17 500 662 Product version from 5/1/2022



- 4-7/8" Projection
- Rigid spout
- Round aerated stream
- Total height 9-1/8"
- Height to aerator/spout outlet 6-1/4"
- 1-3/8" hole diameter
- 1/2" connection
- Flange diameter 2-3/8"
- Water flow rate limited to max. 1.2 gpm
- lead-free
- This product can help a building meet the requirements of Green Building Rating Systems, e.g. LEED®, BREEAM®, DGNB

(ADA)

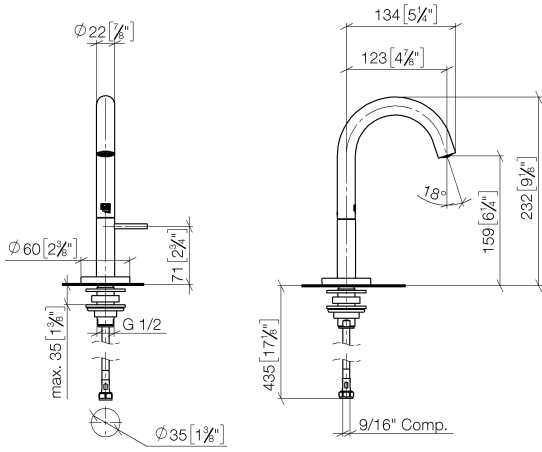
	Brushed Light Gold	17 500 662-27 0010
	Chrome	17 500 662-00 0010
	Brushed Platinum	17 500 662-06 0010
	Light gold	17 500 662-26 0010
	Matte Black	17 500 662-33 0010
	Brushed Bronze	17 500 662-42 0010
	Brushed Champagne (22kt Gold)	17 500 662-46 0010
	Champagne (22kt Gold)	17 500 662-47 0010
	Brushed Chrome	17 500 662-93 0010
	Brushed Dark Platinum	17 500 662-99 0010



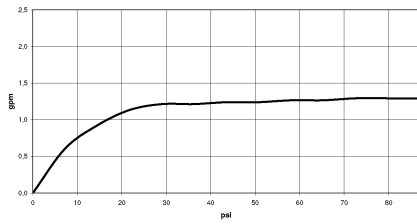
META Pillar tap cold water only - Brushed Light Gold

17 500 662 Product version from 5/1/2022

mm [inches]



Flow rate chart



Codes & Standards

California Energy
Commission
(CEC)

NSF372

NSF61



META Pillar tap cold water only - Brushed Light Gold

17 500 662 Product version from 5/1/2022

Certificates

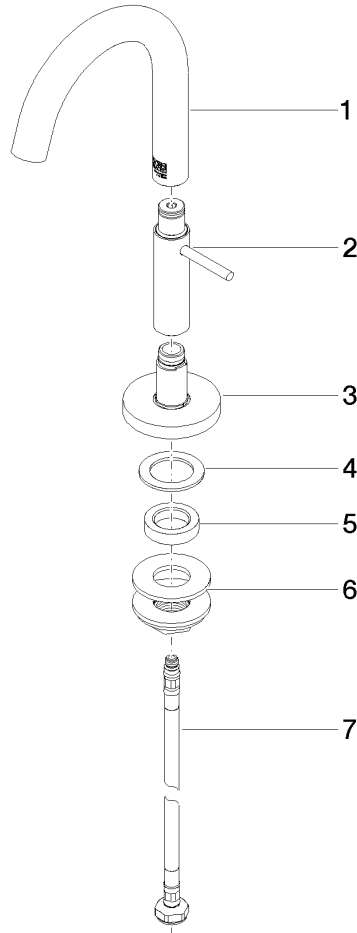
IAPMO_N-4

IAPMO_6

META Pillar tap cold water only - Brushed Light Gold

17 500 662 Product version from 5/1/2022

Parts for other finishes can be found here: [Chrome](#)



Spare parts list

Number	Item Number	Designation	Number of units	Lead time
1	90 28 22 389 00-27	spout	1	30
2	90 20 66 024 10-27	handle	1	30
3	90 27 66 020 00-27	rosette	1	30
4	09 14 05 015 90	seal	1	2
5	09 28 10 079 90	ring	1	60
6	04 23 10 017 00 90	fixing set	1	60
7	04 30 04 102 00 90	Flexible supply line 3/8" -	1	2