



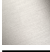


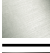



## IMO Pillar tap cold water only - Brushed Light Gold

17 500 671 Product version from 4/1/2024



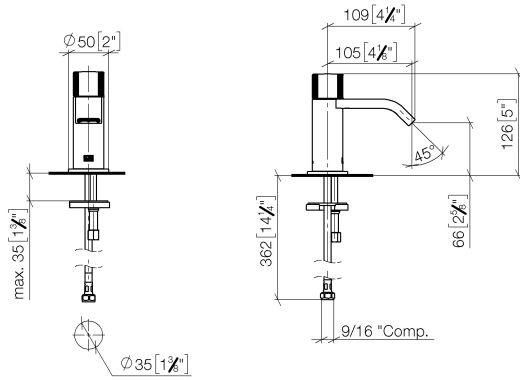
- 4-1/8" Projection
- Rigid spout
- Rectangular aerated stream
- Total height 5"
- Height to aerator/spout outlet 2-5/8"
- 1-3/8" hole diameter
- 1/2" connection
- Flanges, diameter 2"
- Water flow rate limited to max. 1.2 gpm
- lead-free

	Brushed Light Gold	17 500 671-27 0010
	Chrome	17 500 671-00 0010
	Brushed Platinum	17 500 671-06 0010
	Dark Chrome	17 500 671-19 0010
	Matte Black	17 500 671-33 0010
	Brushed Chrome	17 500 671-93 0010
	Brushed Dark Platinum	17 500 671-99 0010

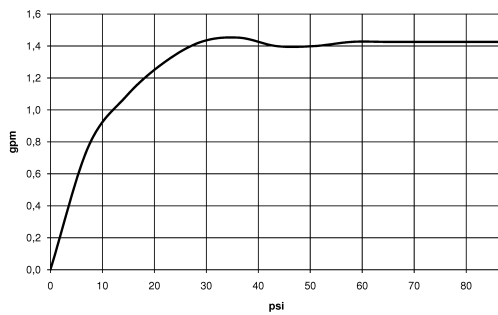
## IMO Pillar tap cold water only - Brushed Light Gold

17 500 671 Product version from 4/1/2024

mm [inches]



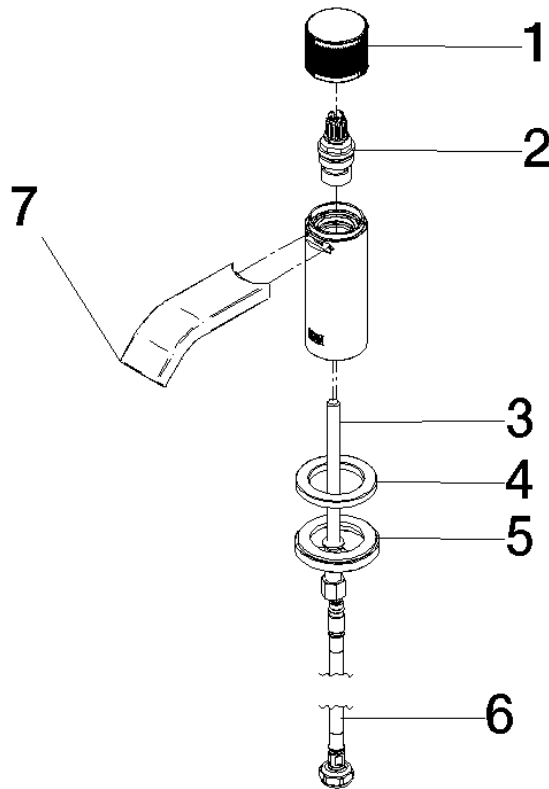
### Flow rate chart



**IMO Pillar tap cold water only - Brushed Light Gold**

17 500 671 Product version from 4/1/2024

Parts for other finishes can be found here: [Chrome](#)



**Spare parts list**

Number	Item Number	Designation	Number of units	Lead time
1	09 20 66 012-27	handle	1	60
2	90 90 03 135 00 90	top	1	2
3	09 31 11 012 90	pin	1	2
4	09 27 66 006-27	rosette	1	60
5	04 30 11 038 00 90	fixing set	1	2
6	04 30 04 102 00 90	Flexible supply line 3/8" -	1	2
7	90 28 22 402 00-27	spout	1	30