



TARA Pillar tap cold water only - Brushed Chrome

17 500 892



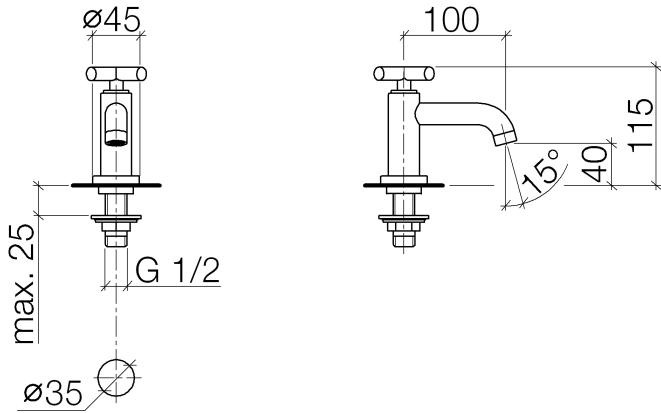
- 3-7/8" Projection
- Rigid spout
- Round aerated stream
- Total height 4-1/2"
- Height to aerator/spout outlet 1-5/8"
- 1-3/8" hole diameter
- 1/2" connection
- Flange diameter 1-3/4"
- Water flow rate limited to max. 1.2 gpm
- lead-free
- This product can help a building meet the requirements of Green Building Rating Systems, e.g. LEED®, BREEAM®, DGNB

(ADA)



TARA Pillar tap cold water only - Brushed Chrome

17 500 892



Codes & Standards

ADA

California Energy
Commission
(CEC)

NSF/ANSI 372

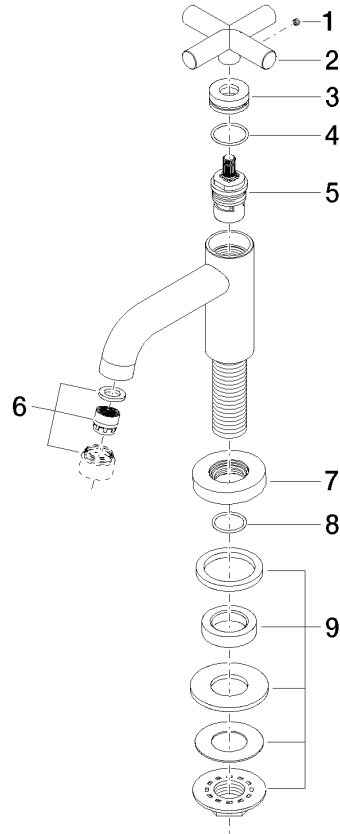
NSF372

Certificates

IAPMO_6

TARA Pillar tap cold water only - Brushed Chrome

17 500 892



Spare parts list

Number	Item Number	Designation	Number of units	Lead time
1	09 31 11 055 90	pin	1	2
2	09 20 89 011-93	handle	1	20
3	09 21 02 089-93	sleeve	1	20
4	09 14 10 085 90	seal	1	2
5	90 90 03 135 00 90	top	1	2
6	90 23 01 068 03-93	aerator	1	-
Spare part can no longer be ordered, please order the replacement item				
7	09 27 89 106-93	rosette	1	20
8	90 14 10 032 00 90	seal	1	2
9	04 23 10 010 88 90	fixing set	1	2