



LOT HOT & COLD WATER DISPENSER - Chrome

17 861 680 Product version from 5/28/2022



- 5-3/4" Projection
- Rigid, thermally insulated spout
- Laminar stream
- Total height 9-1/8"
- 8-3/8" height to aerator/spout outlet
- 1-3/8" hole diameter
- Provides filtered, hot water, 199°F max. temperature
- Provides filtered, cold water (not chilled)
- Water flow rate limited to max. 0.5 gpm
- control unit for wall assembly (5-3/8" x 6-1/4" x 2-3/8")
- electronic valve
- plug-in power supply, 100-230 V, 50-60 Hz, 18 W, incl. country-specific adaptor set
- lead-free
- One lever for hot and cold water
- Spout ring cannot be removed.
- This product can help a building meet the requirements of Green Building Rating Systems, e.g. LEED®, BREEAM®, DGNB

(ADA)

NOTE: Not compatible with Reverse Osmosis

Compatible with Insinkerator® hot water tank HWT300-F3000S. Tank and filter not supplied from Dornbracht. More information on tank and filter at www.inksinkerator.com.

The installation must be above a kitchen sink.

We recommend replacing the filter cartridge every six months. Please see the installation manual for more information.

Specification and technical data sheets can be found on www.dornbracht.com/professional

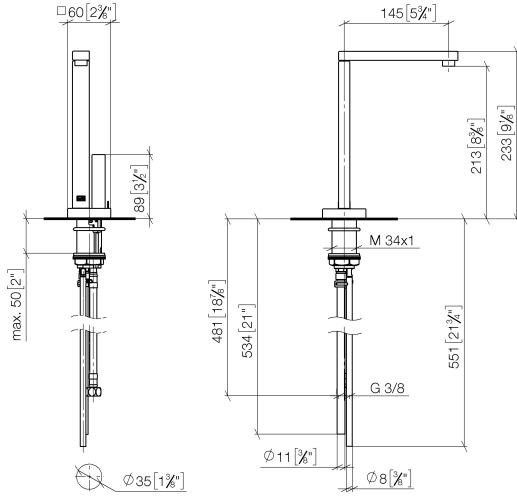
| | | |
|---|--------------------------------|---------------|
|  | Chrome | 17 861 680-00 |
|  | Brushed Platinum | 17 861 680-06 |
|  | Platinum | 17 861 680-08 |
|  | Dark Chrome | 17 861 680-19 |
|  | Brushed Durabronze (23kt Gold) | 17 861 680-28 |
|  | Brushed Champagne (22kt Gold) | 17 861 680-46 |
|  | Champagne (22kt Gold) | 17 861 680-47 |
|  | Brushed Dark Platinum | 17 861 680-99 |



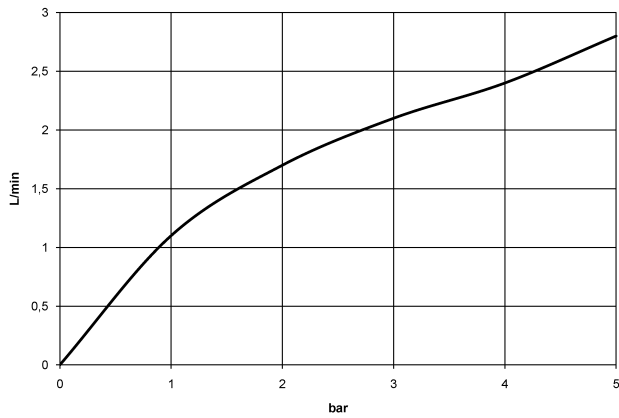
LOT HOT & COLD WATER DISPENSER - Chrome

17 861 680 Product version from 5/28/2022

mm [inches]



Flow rate chart



Codes & Standards

| | | | |
|-----------------|----------------|---------------------------|------------------------------------|
| ADA | ASME A112.18.1 | ASME A112.18.1/CSA B125.1 | California Energy Commission (CEC) |
| cUPC | DIN 4109 | ISO 3822 | NSF/ANSI 372 |
| NSF/ANSI/CAN 61 | NSF372 | NSF61 | Ü-Zeichen |



LOT HOT & COLD WATER DISPENSER - Chrome

17 861 680 Product version from 5/28/2022

Certificates

IAPMO_N-4

IAPMO_4976

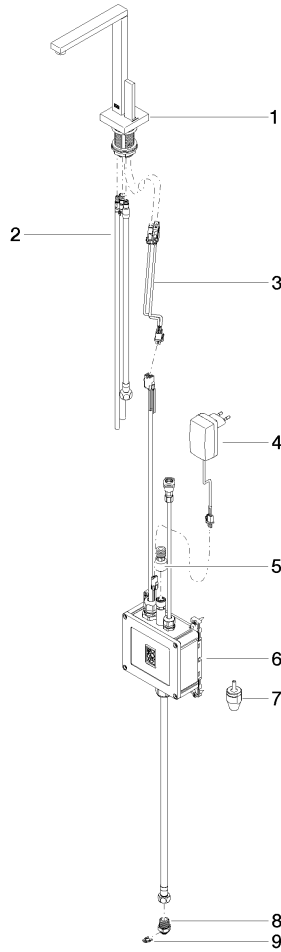
LGA_28

IAPMO_6

LOT HOT & COLD WATER DISPENSER - Chrome

17 861 680 Product version from 5/28/2022

Parts for other finishes can be found here: Brushed
Platinum



Spare parts list

| Number | Item Number | Designation | Number of units | Lead time |
|--------|--------------------|------------------------|-----------------|-----------|
| 1 | 90 17 85 100 03-00 | fitting | 1 | 10 |
| 2 | 90 30 04 067 00 90 | hose | 1 | 2 |
| 3 | 90 10 01 048 00 90 | electronic accessories | 1 | 2 |
| 4 | 04 10 01 246 00 90 | electronic accessories | 1 | 2 |
| 5 | 12 866 970 90 | adaptor | 1 | 2 |
| 6 | 90 11 11 064 01 90 | electronic accessories | 1 | 2 |
| 7 | 90 24 04 291 00 90 | insert | 1 | 2 |
| 8 | 09 24 04 293 90 | nipple | 1 | 2 |
| 9 | 09 16 01 045 90 | ring | 1 | 2 |