



## LOT HOT & COLD WATER DISPENSER - Dark Chrome

17 861 680



- 5-3/4" Projection
- Rigid, thermally insulated spout
- Laminar stream
- Total height 9-1/8"
- 8-3/8" height to aerator/spout outlet
- 1-3/8" hole diameter
- Provides filtered, hot water, 199°F max. temperature
- Provides filtered, cold water (not chilled)
- Water flow rate limited to max. 0.5 gpm
- control unit for wall assembly (5-3/8" x 6-1/4" x 2-3/8")
- electronic valve
- plug-in power supply, 100-230 V, 50-60 Hz, 18 W, incl. country-specific adaptor set
- lead-free
- One lever for hot and cold water
- Spout ring cannot be removed.
- This product can help a building meet the requirements of Green Building Rating Systems, e.g. LEED®, BREEAM®, DGNB

(ADA)

NOTE: Not compatible with Reverse Osmosis

Compatible with Insinkerator® hot water tank HWT300-F3000S. Tank and filter not supplied from Dornbracht. More information on tank and filter at [www.insinkerator.com](http://www.insinkerator.com).

The installation must be above a kitchen sink.

We recommend replacing the filter cartridge every six months. Please see the installation manual for more information.

Specification and technical data sheets can be found on [www.dornbracht.com/professional](http://www.dornbracht.com/professional)

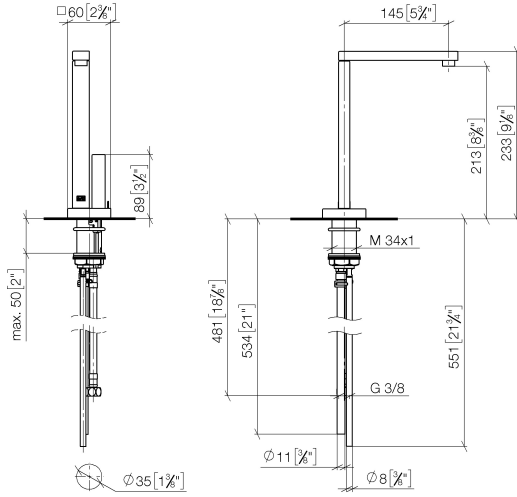
	Dark Chrome	17 861 680-19
	Chrome	17 861 680-00
	Brushed Platinum	17 861 680-06
	Platinum	17 861 680-08
	Brushed Durabronze (23kt Gold)	17 861 680-28
	Brushed Champagne (22kt Gold)	17 861 680-46
	Champagne (22kt Gold)	17 861 680-47
	Brushed Dark Platinum	17 861 680-99



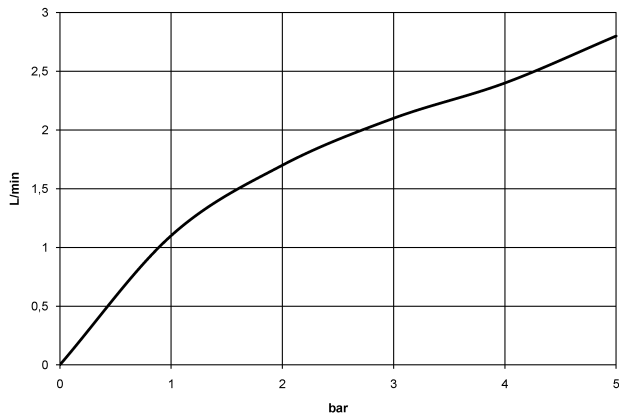
## LOT HOT & COLD WATER DISPENSER - Dark Chrome

17 861 680

mm [inches]



### Flow rate chart



### Codes & Standards

ADA	ASME A112.18.1	ASME A112.18.1/CSA B125.1	California Energy Commission (CEC)
cUPC	NSF/ANSI 372	NSF/ANSI/CAN 61	NSF372
NSF61			



## LOT HOT & COLD WATER DISPENSER - Dark Chrome

---

17 861 680

### Certificates

---

IAPMO\_N-4

IAPMO\_4976

IAPMO\_6

# LOT HOT & COLD WATER DISPENSER - Dark Chrome

17 861 680

Parts for other  
finishes can be found  
here: [Chrome](#)

