



VAIA Two-hole bridge mixer For sprayer / professional sprayer - Brushed Chrome

19 825 809 Product version from 7/1/2023



- 9-1/2" Projection
- Swiveling spout 360°
- Aerated stream
- Water flow rate limited to max. 1.5 gpm
- lead-free
- This product can help a building meet the requirements of Green Building Rating Systems, e.g. LEED®, BREEAM®, DGNB

Two-hole mixer for use with rinsers and professional sprayers

	Brushed Chrome	19 825 809-93 0010
	Chrome	19 825 809-00 0010
	Brushed Platinum	19 825 809-06 0010
	Platinum	19 825 809-08 0010
	Durabronze (23kt Gold)	19 825 809-09 0010
	Dark Chrome	19 825 809-19 0010
	Brushed Durabronze (23kt Gold)	19 825 809-28 0010
	Matte Black	19 825 809-33 0010
	Brushed Champagne (22kt Gold)	19 825 809-46 0010
	Champagne (22kt Gold)	19 825 809-47 0010
	Brushed Dark Platinum	19 825 809-99 0010

Recommended article

VAIA Soap dispenser with flange - Brushed Chrome 82 434 809-93



Recommended article

VAIA AIR SWITCH operating button, trim parts only - Brushed Chrome 10 713 809-93





VAIA Two-hole bridge mixer For sprayer / professional sprayer - Brushed Chrome

19 825 809 Product version from 7/1/2023

Certificates

IAPMO_4976

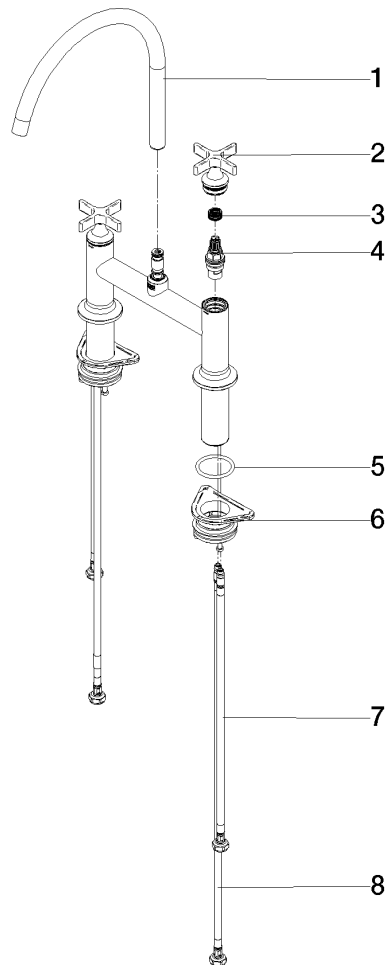
IAPMO_N-4976

IAPMO_6397

**VAIA Two-hole bridge mixer For sprayer / professional sprayer - Brushed
Chrome**

19 825 809 Product version from 7/1/2023

Parts for other
finishes can be found
here: Chrome



Spare parts list

Number	Item Number	Designation	Number of units	Lead time
1	90 28 22 396 01-93	spout	1	20
2	90 20 80 036 00-93	handle	2	-
Spare part can no longer be ordered, please order the replacement item				
3	90 12 12 232 00 90	fixing cap	2	2
4	90 90 03 131 00 90	top	2	2
5	90 14 10 043 00 90	seal	2	2
6	04 30 11 040 00 90	fixing set	2	2
7	04 30 04 100 00 90	hose	2	2
8	04 30 04 103 00 90	hose	2	2