

## VAIA Three-hole bridge mixer Pull-down with spray function - Chrome

19 870 809 Product version from 7/1/2023



- 9-1/2" Projection
- Swiveling spout 360°
- Optional restricted swivel available with swivel limiter set 12 823 970 90
- Aerated stream and spray mode
- Total height 15-1/2"
- 8" height to aerator/spout outlet
- 1-3/8" hole diameter
- 2 x pressure hose with 3/8" compression fitting
- 59" metal shower hose
- Sprayface with descaling system
- Water flow rate limited to max. 1.5 gpm
- lead-free
- Spray types can be changed while the water is running
- This product can help a building meet the requirements of Green Building Rating Systems, e.g. LEED®, BREEAM®, DGNB

(ADA)

Internal backflow preventer.

Switch back and forth between aerator and spray mode while water is running.

	Chrome	19 870 809-00 0010
	Brushed Platinum	19 870 809-06 0010
	Platinum	19 870 809-08 0010
	Durabronze (23kt Gold)	19 870 809-09 0010
	Dark Chrome	19 870 809-19 0010
	Brushed Durabronze (23kt Gold)	19 870 809-28 0010
	Matte Black	19 870 809-33 0010
	Brushed Bronze	19 870 809-42 0010
	Brushed Champagne (22kt Gold)	19 870 809-46 0010
	Champagne (22kt Gold)	19 870 809-47 0010
	Brushed Chrome	19 870 809-93 0010
	Brushed Dark Platinum	19 870 809-99 0010

### Recommended article

	<b>Swivel limiter set -</b>	12 823 970 90
--	-----------------------------	---------------

### Recommended article

	<b>VAIA Soap dispenser with flange -</b>	82 434 809-00
	<b>Chrome</b>	

### Recommended article

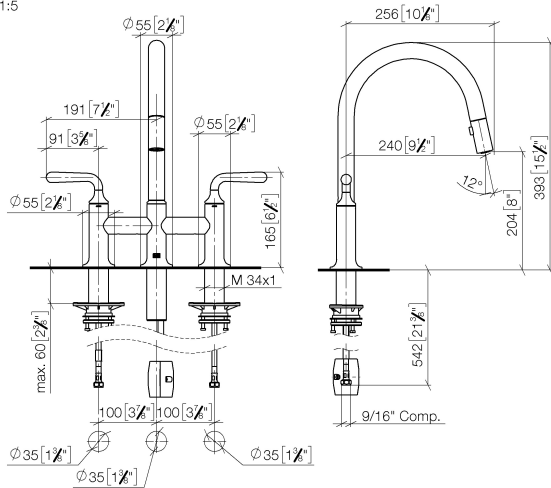
	<b>VAIA AIR SWITCH operating button, trim parts only -</b>	10 713 809-00
	<b>Chrome</b>	



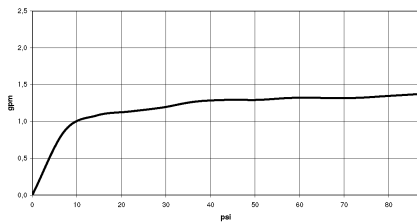
## VAIA Three-hole bridge mixer Pull-down with spray function - Chrome

19 870 809 Product version from 7/1/2023

mm [inches]  
1:5



### Flow rate chart



### Codes & Standards

ASME A112.18.1

California Energy  
Commission  
(CEC)

cUPC

NSF372

NSF61



## VAIA Three-hole bridge mixer Pull-down with spray function - Chrome

---

19 870 809 Product version from 7/1/2023

### Certificates

---

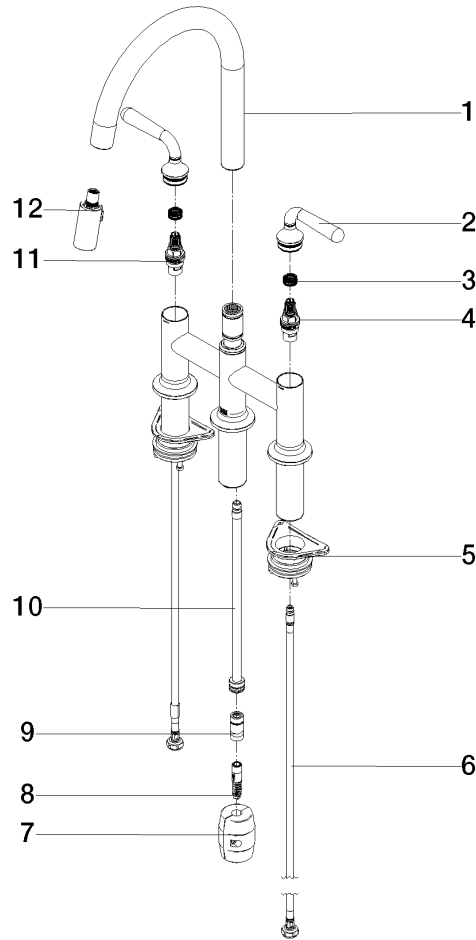
IAPMO\_4976

IAPMO\_N-4976

IAPMO\_6397

**VAIA Three-hole bridge mixer Pull-down with spray function - Chrome**

19 870 809 Product version from 7/1/2023



**Spare parts list**

Number	Item Number	Designation	Number of units	Lead time
1	90 28 22 397 00-00	spout	1	10
2	90 20 80 057 00-00	handle	2	10
3	90 12 12 232 00 90	fixing cap	2	2
4	90 90 03 130 00 90	top	1	2
5	04 30 11 040 00 90	fixing set	2	2
6	04 30 04 103 00 90	hose	2	2
7	04 21 50 010 00 90	accessories	1	2
8	04 30 02 120 00-00	hose	1	10
9	90 24 03 253 00 90	adaptor	1	2
10	04 28 20 067 00 90	pipe	1	2
11	90 90 03 131 00 90	top	1	2
12	90 18 40 317 00-00	shower	1	10