









Deck valve counter-clockwise closing cold - Brushed Champagne (22kt Gold)

20 000 716 Product version from 6/1/2015



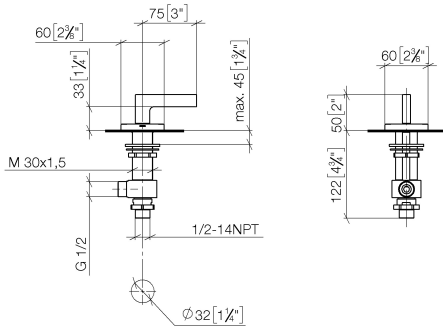
- 1-1/4" hole diameter
- Flange 2-3/8" x 2-3/8"
- with marking for cold

	Brushed Champagne (22kt Gold)	20 000 716-46
	Chrome	20 000 716-00
	Brushed Platinum	20 000 716-06
	Dark Chrome	20 000 716-19
	Champagne (22kt Gold)	20 000 716-47
	Brushed Dark Platinum	20 000 716-99

Deck valve counter-clockwise closing cold - Brushed Champagne (22kt Gold)

20 000 716 Product version from 6/1/2015

mm [inches]



Flow rate chart



Codes & Standards

ADA	ASME A112.18.1	ASME A112.18.1/CSA B125.1	cUPC
DIN 4109	ISO 3822	Ü-Zeichen	



Deck valve counter-clockwise closing cold - Brushed Champagne (22kt Gold)

20 000 716 Product version from 6/1/2015

Certificates

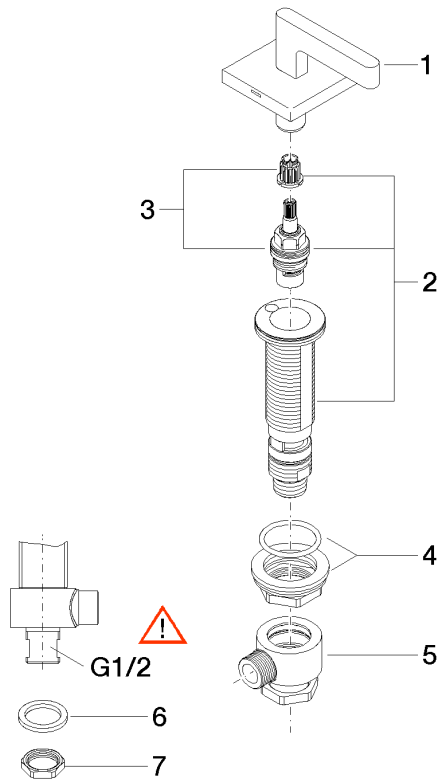
IAPMO_4976

LGA_28

Deck valve counter-clockwise closing cold - Brushed Champagne (22kt Gold)

20 000 716 Product version from 6/1/2015

Parts for other finishes can be found here: [Chrome](#)



Spare parts list

Number	Item Number	Designation	Number of units	Lead time
1	90 20 70 057 01-46	handle (cold)	1	30
2	04 17 11 058 32 90	side panel	1	2
3	90 90 03 132 00 90	top	1	2
4	04 23 10 032 78 90	fixing set	1	2
5	04 17 11 023 10 90	distributor	1	2
6	09 30 11 059 90	disc	1	2
7	09 23 10 012 90	nut	1	2