



## MEM Three-hole lavatory mixer with drain - Dark Chrome

20 715 782



- 7-7/8" Projection
- Rigid spout
- US drain with overflow
- Rectangular aerated stream
- Total height 12-5/8"
- Height to aerator/spout outlet 7-5/8"
- Spout hole diameter 1-3/8"
- Valve hole diameter 1-1/4"
- Flange 2-3/8" x 2-3/8"
- 2x 3/8" flexible supply lines
- Water flow rate limited to max. 1.2 gpm
- lead-free
- This product can help a building meet the requirements of Green Building Rating Systems, e.g. LEED®, BREEAM®, DGNB

(ADA)

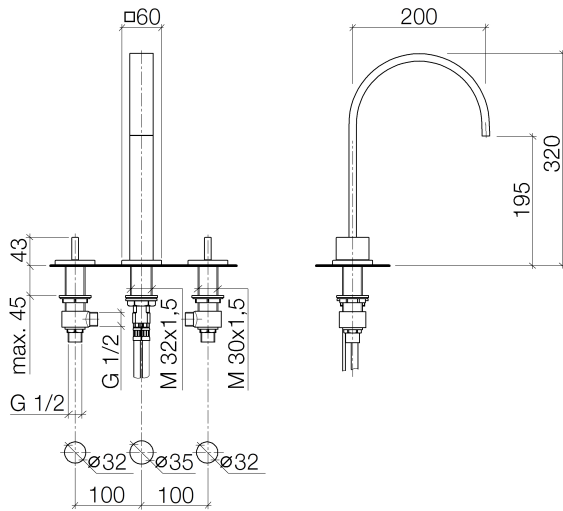
Suitable only for basins with overflow.

	Dark Chrome	20 715 782-19 0010
	Chrome	20 715 782-00 0010
	Brushed Platinum	20 715 782-06 0010
	Platinum	20 715 782-08 0010
	Brushed Durabronze (23kt Gold)	20 715 782-28 0010
	Brushed Champagne (22kt Gold)	20 715 782-46 0010
	Champagne (22kt Gold)	20 715 782-47 0010
	Brushed Dark Platinum	20 715 782-99 0010



## MEM Three-hole lavatory mixer with drain - Dark Chrome

20 715 782



### Codes & Standards

ADA	ASME A112.18.1	ASME A112.18.1/CSA B125.1	California Energy Commission (CEC)
cUPC	NSF/ANSI 372	NSF/ANSI/CAN 61	NSF372
NSF61			

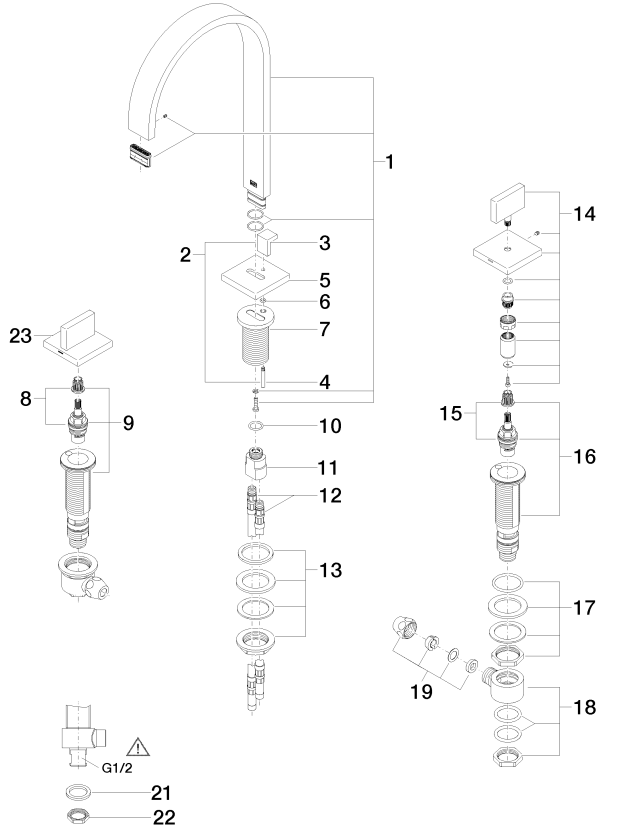
### Certificates

IAPMO_N-4	IAPMO_4976	IAPMO_6
-----------	------------	---------

**MEM Three-hole lavatory mixer with drain - Dark Chrome**

20 715 782

Parts for other finishes can be found here: [Chrome](#)



20 Alte/Spann 0411.R.2210-F