



TARA Tub mixer for wall-mounted installation with hand shower set - Matte Black

25 133 882 Product version from 5/27/2021



- Spout: Round aerated stream
- Water flow rate limited to max. 5.8 gpm
- Hand-held shower: COMPACT RAIN, flow rate max. 1.8 gpm (at 3 bar)
- Hand shower set with anti-scale technology
- 9-1/2" Projection
- Tub / shower diverter
- Flanges Ø 2-1/2"
- Wall bracket with flange Ø 2"
- 1/2" connection
- Center to center 5-7/8" ± 5/8"
- Metal shower hose 49-1/4" with anti-twist device (ADA)

NOTE: Local building codes may require the use of an anti-scald device. Please refer to remote pressure balance valve (35 914 970 90) Internal backflow preventer.

Combination with risers possible on request (special production).

(ADA)

NOTE: Local building codes may require the use of an anti-scald device. Please refer to remote pressure balance valve (35 914 970 90)

Internal backflow preventer.

Combination with risers possible on request (special production).

	Matte Black	25 133 882-33
	Chrome	25 133 882-00
	Brushed Platinum	25 133 882-06
	Platinum	25 133 882-08
	Dark Chrome	25 133 882-19
	Brushed Durabronze (23kt Gold)	25 133 882-28
	Brushed Champagne (22kt Gold)	25 133 882-46
	Champagne (22kt Gold)	25 133 882-47
	Brushed Chrome	25 133 882-93
	Brushed Dark Platinum	25 133 882-99

Required article



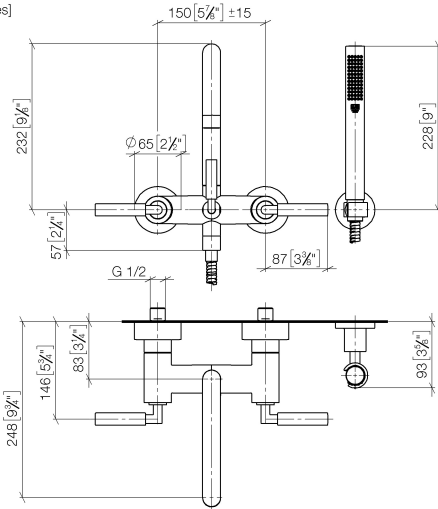
Rough-in adapter -

- Please order 2 adapters

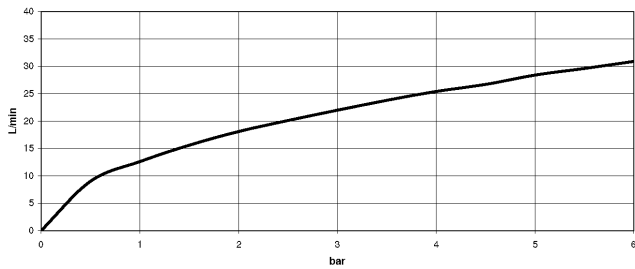
35 080 970-90
0010

TARA Tub mixer for wall-mounted installation with hand shower set - Matte Black

25 133 882 Product version from 5/27/2021
mm [inches]



Flow rate chart



Codes & Standards

DIN 4109

EN 1717

ISO 3822

Scottish Water
Byelaws

UK Water Supply
Regulations

Ü-Zeichen



TARA Tub mixer for wall-mounted installation with hand shower set - Matte Black

25 133 882 Product version from 5/27/2021

Certificates

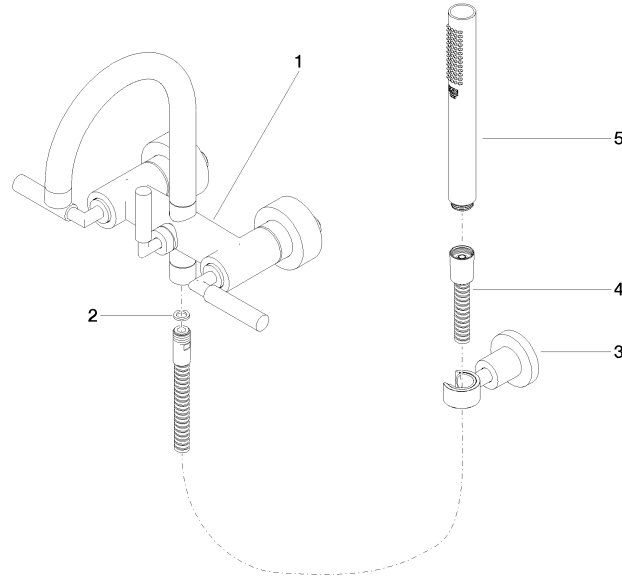
WRAS_2210

LGA_18

Belgaqua_21-026-2

TARA Tub mixer for wall-mounted installation with hand shower set - Matte Black

25 133 882 Product version from 5/27/2021



Spare parts list

Number	Item Number	Designation	Number of units	Lead time
1	25 100 892-33	TARA Tub mixer for wall-mounted installation - Matte Black	1	-
Spare part can no longer be ordered, please order the replacement item				
2	90 14 20 026 00 90	seal	1	2
3	28 050 892-33	TARA Wall bracket - Matte Black	1	10
4	90 30 02 072 00-33	Metal shower hose 1/2" x 3/8" x 49-1/4" - Matte Black	1	30
5	90 12 11 140 41-33	shower	1	30