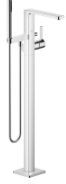




LULU Single-lever tub mixer with stand pipe for freestanding installation with hand shower set - Chrome


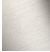
25 863 710



- Spout: Round aerated stream
 - Water flow rate limited to max. 7 gpm
 - Hand-held shower: COMPACT RAIN, flow rate max. 1.8 gpm (at 3 bar)
 - Baton hand shower with descaling system
 - Hand shower bracket
 - Integrated diverter
 - 8-1/2" Projection
 - Total height 36-3/4" - 39-1/2"
 - Lower body height 23-1/2" - 26-1/4"
 - Height to aerator/spout outlet 32-1/2" - 35-1/4"
 - Flange 5-1/8" x 5-1/8"
 - Metal shower hose 49-1/4" with anti-twist device
- NOTE: Local building codes may require the use of an anti-scald device. Please refer to remote pressure balance valve (35 914 970 90) Internal backflow preventer.**

NOTE: Local building codes may require the use of an anti-scald device. Please refer to remote pressure balance valve (35 914 970 90)

Internal backflow preventer.

| | | |
|---|------------------|---------------|
|  | Chrome | 25 863 710-00 |
|  | Brushed Platinum | 25 863 710-06 |

Required article



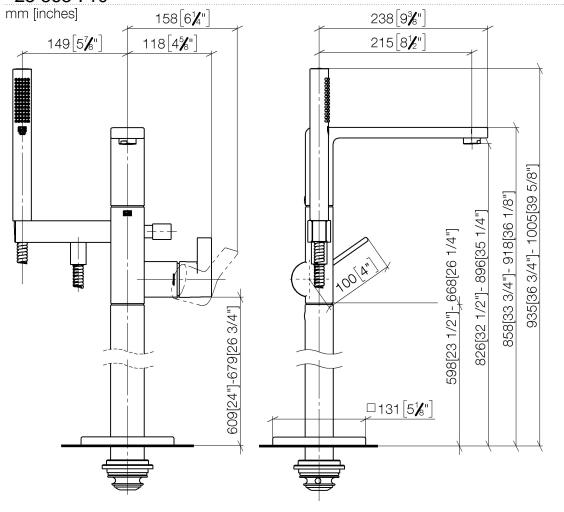
- Floor mounting rough set -** 35 949 970-90
- Max. rough in depth "
 - Min. rough in depth "



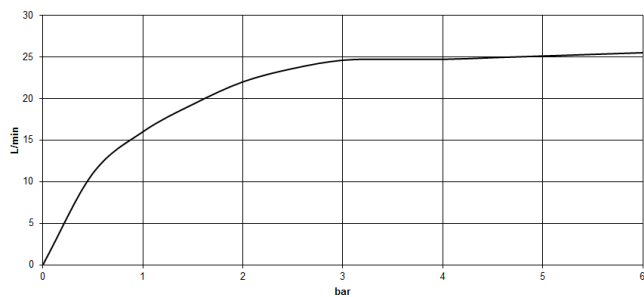
LULU Single-lever tub mixer with stand pipe for freestanding installation with hand shower set - Chrome

25 863 710

mm [inches]



Flow rate chart



Codes & Standards

| | | | |
|--------------------------------|---------------------------------|--|---------------------------|
| ASME A112.18.1 | ASME A112.18.1/CSA B125.1 | California Energy Commission (CEC) | cUPC |
| DIN 4109 | EN 1717 | ISO 3822 | Scottish Water Byelaws |
| UK Water Supply Regulations | Ü-Zeichen | | |



LULU Single-lever tub mixer with stand pipe for freestanding installation with hand shower set - Chrome

25 863 710

Certificates

IAPMO_4976

Belgaqua_19_77

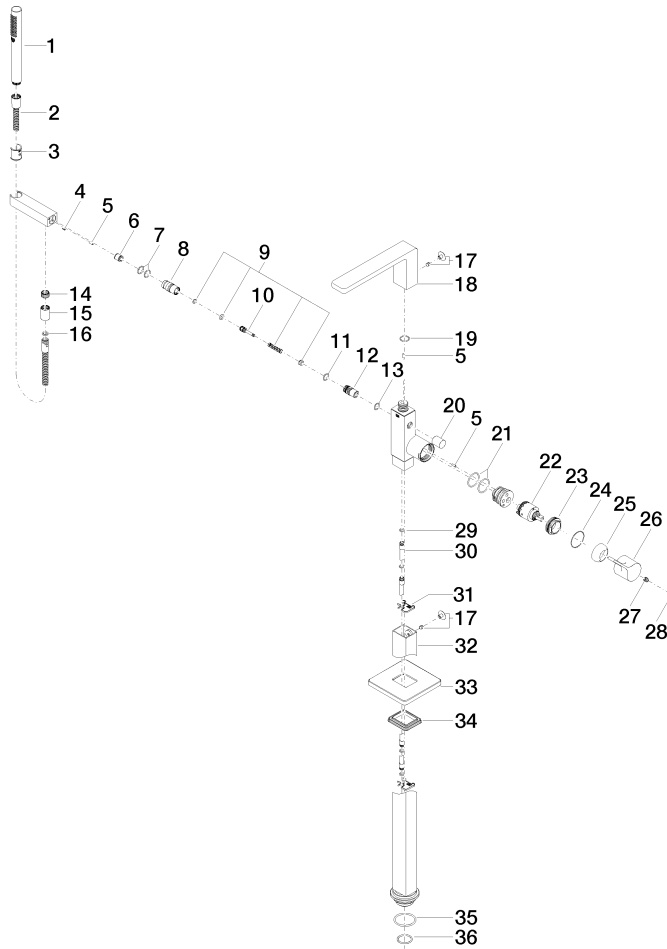
WRAS_2003

LGA_29

Belgaqua_24-003-2

LULU Single-lever tub mixer with stand pipe for freestanding installation with hand shower set - Chrome

25 863 710





LULU Single-lever tub mixer with stand pipe for freestanding installation with hand shower set - Chrome

25 863 710

Spare parts list

| Number | Item Number | Designation | Number of units | Lead time |
|--------|--------------------|--|-----------------|-----------|
| 1 | 90 12 11 140 41-00 | shower | 1 | 10 |
| 2 | 90 30 02 072 00-00 | Metal shower hose 1/2" x 3/8" x 49-1/4" - Chrome | 1 | 10 |
| 3 | 09 18 40 118 90 | sleeve | 1 | 2 |
| 4 | 09 31 11 058 90 | pin | 1 | 2 |
| 5 | 09 31 11 040 90 | pin | 3 | 2 |
| 6 | 90 23 01 141 00 90 | back-flow preventer | 1 | 2 |
| 7 | 90 14 10 010 00 90 | seal | 2 | 2 |
| 8 | 09 24 03 130-00 | nipple | 1 | 10 |
| 9 | 90 16 02 023 00 90 | spring | 1 | 2 |
| 10 | 09 31 09 094 20-00 | pull-rod | 1 | 10 |
| 11 | 90 14 10 055 00 90 | seal | 1 | 2 |
| 12 | 09 21 34 080-00 | nipple | 1 | 10 |
| 13 | 90 14 10 033 00 90 | seal | 1 | 2 |
| 14 | 09 24 03 069 90 | nipple | 1 | 2 |
| 15 | 90 21 02 069 00-00 | cover | 1 | 10 |
| 16 | 90 14 20 026 00 90 | seal | 1 | 2 |
| 17 | 04 31 20 034 00 90 | plug | 2 | 2 |
| 18 | 90 11 71 043 00-00 | spout | 1 | 10 |
| 19 | 09 14 10 031 90 | seal | 1 | 2 |
| 20 | 09 20 71 031-00 | handle | 1 | 10 |
| 21 | 09 14 10 148 90 | seal | 2 | 2 |
| 22 | 90 15 05 039 00 90 | cartridge | 1 | 2 |
| 23 | 09 24 04 298 90 | nut | 1 | 2 |
| 24 | 09 14 10 037 90 | seal | 1 | 2 |
| 25 | 09 28 30 036-00 | cover | 1 | 10 |
| 26 | 09 20 80 022-00 | handle | 1 | 10 |
| 27 | 90 31 11 030 00 90 | pin | 1 | 2 |
| 28 | 90 31 20 087 00-00 | plug | 1 | 10 |
| 29 | 09 14 10 139 90 | seal | 2 | 2 |
| 30 | 04 28 22 025 00 90 | connection | 2 | 2 |
| 31 | 09 20 93 051 90 | holder | 2 | 2 |
| 32 | 04 28 22 024 00-00 | pipe | 1 | 10 |
| 33 | 09 27 71 011-00 | rosette | 1 | 10 |
| 34 | 09 14 03 107 90 | seal | 1 | 2 |
| 35 | 09 14 10 084 90 | seal | 1 | 2 |
| 36 | 09 14 10 018 90 | seal | 1 | 2 |