



VAIA Single-lever tub mixer with stand pipe for freestanding installation with hand shower set - Platinum

25 863 809



- Spout: Round aerated stream
 - Water flow rate limited to max. 6.5 gpm
 - Hand-held shower: COMPACT RAIN, flow rate max. 1.8 gpm (at 3 bar)
 - Baton hand shower with descaling system
 - 11-1/8" Projection
 - Swiveling spout 360°
 - Integrated diverter
 - Total height 41-5/8" - 44-3/8"
 - Hand shower bracket
 - Lower body height 22-1/4" - 25"
 - Height to aerator/spout outlet 36-3/8" - 39-1/8"
 - Flanges Ø 5-3/8"
 - Metal shower hose 49-1/4" with anti-twist device
- NOTE: Local building codes may require the use of an anti-scald device. Please refer to remote pressure balance valve (35 914 970 90) Internal backflow preventer.**

NOTE: Local building codes may require the use of an anti-scald device. Please refer to remote pressure balance valve (35 914 970 90) Internal backflow preventer.

	Platinum	25 863 809-08
	Chrome	25 863 809-00
	Brushed Platinum	25 863 809-06
	Dark Chrome	25 863 809-19
	Brushed Durabronze (23kt Gold)	25 863 809-28
	Brushed Bronze	25 863 809-42
	Brushed Champagne (22kt Gold)	25 863 809-46
	Champagne (22kt Gold)	25 863 809-47
	Brushed Dark Platinum	25 863 809-99

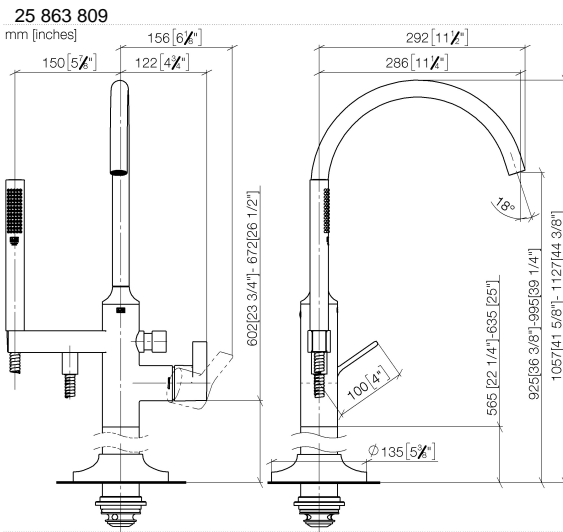
Required article



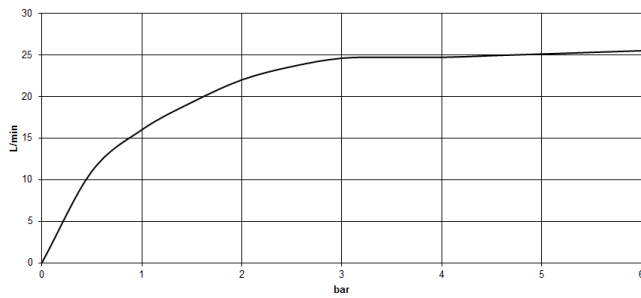
- Floor mounting rough set -** 35 949 970-90
- Max. rough in depth " 0010
 - Min. rough in depth "



VAIA Single-lever tub mixer with stand pipe for freestanding installation with hand shower set - Platinum



Flow rate chart



Codes & Standards

ASME A112.18.1	ASME A112.18.1/CSA B125.1	California Energy Commission (CEC)	cUPC
DIN 4109	EN 1717	ISO 3822	Scottish Water Byelaws
UK Water Supply Regulations	Ü-Zeichen		



VAIA Single-lever tub mixer with stand pipe for freestanding installation with hand shower set - Platinum

25 863 809

Certificates

IAPMO_4976

Belgaqua_19_77

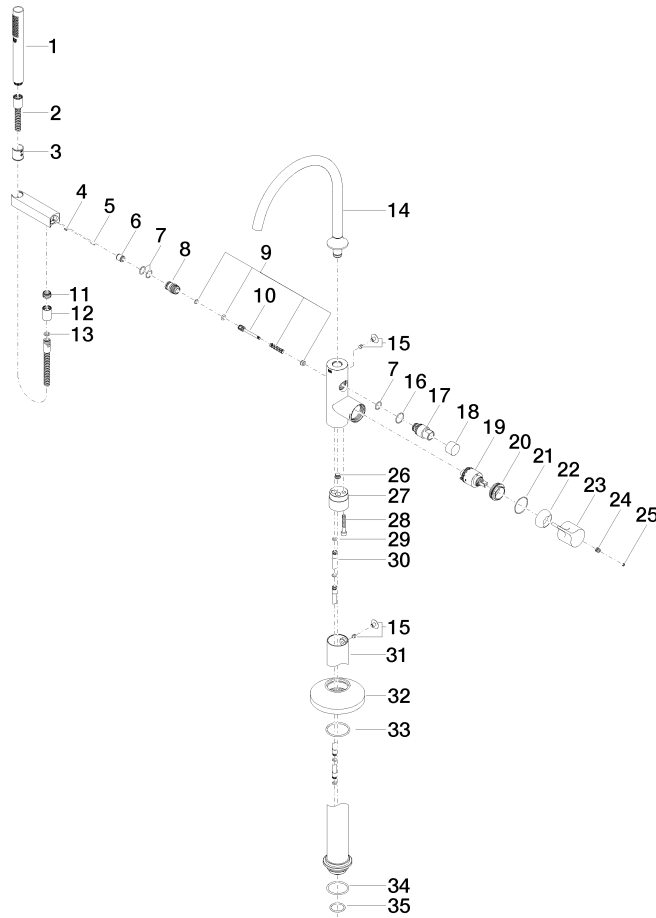
WRAS_2001

LGA_29

Belgaqua_24-003-2

VAIA Single-lever tub mixer with stand pipe for freestanding installation with hand shower set - Platinum

25 863 809





VAIA Single-lever tub mixer with stand pipe for freestanding installation with hand shower set - Platinum

25 863 809

Spare parts list

Number	Item Number	Designation	Number of units	Lead time
1	90 12 11 140 41-08	shower	1	40
2	90 30 02 072 00-08	Metal shower hose 1/2" x 3/8" x 49-1/4" - Platinum	1	40
3	09 18 40 118 90	sleeve	1	2
4	09 31 11 058 90	pin	1	2
5	09 31 11 040 90	pin	1	2
6	90 23 01 141 00 90	back-flow preventer	1	2
7	90 14 10 010 00 90	seal	3	2
8	09 24 03 153 20-08	nipple	1	-
Spare part can no longer be ordered, please order the replacement item				
9	90 16 02 023 00 90	spring	1	2
10	09 31 09 102 20-08	pull-rod	1	-
Spare part can no longer be ordered, please order the replacement item				
11	09 24 03 069 90	nipple	1	2
12	90 21 02 069 00-08	cover	1	40
13	90 14 20 026 00 90	seal	1	2
14	90 28 22 327 00-08	spout	1	40
15	04 31 20 036 00 90	plug	2	2
16	09 14 10 112 90	seal	1	2
17	09 21 34 081 20-08	nipple	1	40
18	09 20 88 002-08	handle	1	40
19	90 15 05 039 00 90	cartridge	1	2
20	09 24 04 298 90	nut	1	2
21	09 14 10 037 90	seal	1	2
22	09 28 30 036-08	cover	1	40
23	09 20 80 022-08	handle	1	40
24	90 31 11 030 00 90	pin	1	2
25	90 31 20 087 00-08	plug	1	40
26	04 31 20 039 11 90	plug	1	2
27	09 24 03 152 20-08	adaptor	1	-
Spare part can no longer be ordered, please order the replacement item				
28	09 30 30 111 90	screw	1	2
29	09 14 10 139 90	seal	2	2
30	04 28 22 025 00 90	connection	2	2
31	04 28 22 030 00-08	pipe	1	40
32	09 27 80 022-08	rosette	1	40
33	90 14 10 129 00 90	seal	1	2
34	09 14 10 084 90	seal	1	2
35	09 14 10 018 90	seal	1	2