

VAIA Two-hole tub mixer for freestanding installation with hand shower set - Brushed Champagne (22kt Gold)

25 943 809 Product version from 5/27/2021



- Spout: Round aerated stream
- Water flow rate limited to max. 6.5 gpm
- Hand-held shower: COMPACT RAIN, flow rate max. 1.8 gpm (at 3 bar)
- Hand shower with descaling system
- 8-3/4" Projection
- Swiveling spout 360°
- Tub / shower diverter
- Total height 36-1/4"
- Riser height 24-3/4"
- Height to aerator/spout outlet 32-1/8"
- Flanges Ø 3-7/8"
- Center to center 5-7/8"
- Metal shower hose 49-1/4" with anti-twist device
- Hand shower to be mounted on right pillar

Internal backflow preventer.

(ADA)

NOTE: Local building codes may require the use of an anti-scald device. Please refer to remote pressure balance valve (35 914 970 90)

Internal backflow preventer.

(ADA)

NOTE: Local building codes may require the use of an anti-scald device. Please refer to remote pressure balance valve (35 914 970 90)

	Brushed Champagne (22kt Gold)	25 943 809-46
	Chrome	25 943 809-00
	Brushed Platinum	25 943 809-06
	Platinum	25 943 809-08
	Dark Chrome	25 943 809-19
	Brushed Durabronze (23kt Gold)	25 943 809-28
	Brushed Bronze	25 943 809-42
	Champagne (22kt Gold)	25 943 809-47
	Brushed Dark Platinum	25 943 809-99

Required article



Floor mounting rough set -

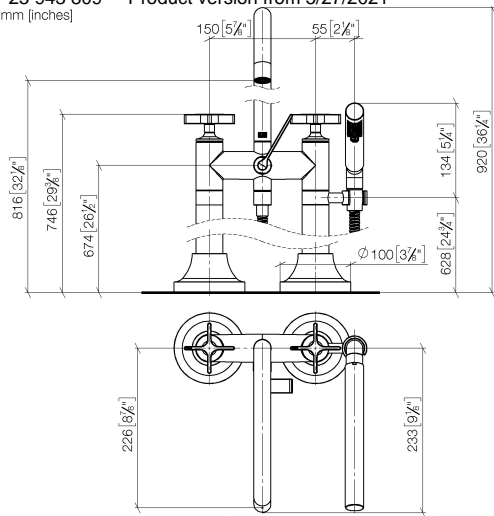
- Max. rough in depth "
- Min. rough in depth "

35 951 970-90
0010

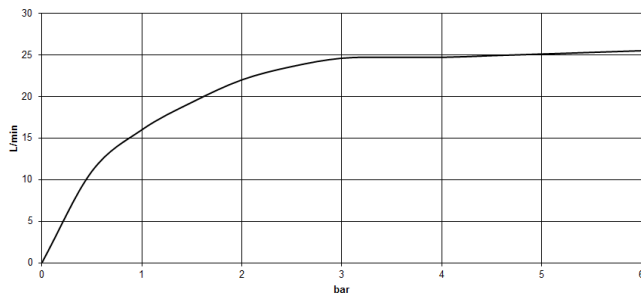


VAIA Two-hole tub mixer for freestanding installation with hand shower set - Brushed Champagne (22kt Gold)

25 943 809 Product version from 5/27/2021
mm [inches]



Flow rate chart



Codes & Standards

ASME A112.18.1	ASME A112.18.1/CSA B125.1	California Energy Commission (CEC)	cUPC
DIN 4109	EN 1717	ISO 3822	Scottish Water Byelaws
UK Water Supply Regulations	Ü-Zeichen		



VAIA Two-hole tub mixer for freestanding installation with hand shower set - Brushed Champagne (22kt Gold)

25 943 809 Product version from 5/27/2021

Certificates

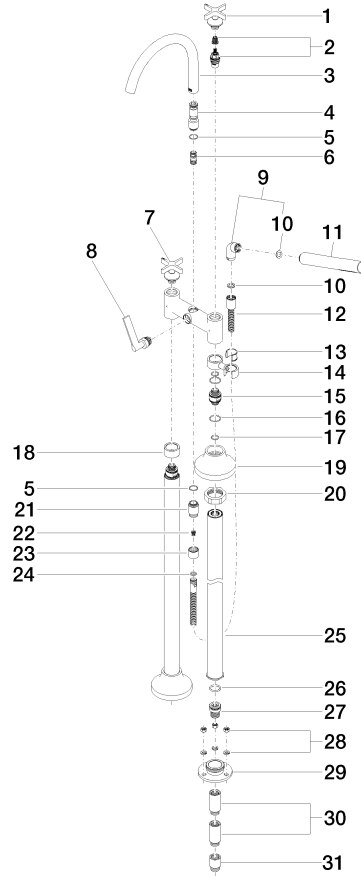
IAPMO_4976

Belgauqa_22_276_2 LGA_29

WRAS_240502

**VAIA Two-hole tub mixer for freestanding installation with hand shower set -
Brushed Champagne (22kt Gold)**

25 943 809 Product version from 5/27/2021





VAIA Two-hole tub mixer for freestanding installation with hand shower set - Brushed Champagne (22kt Gold)

25 943 809 Product version from 5/27/2021

Spare parts list

Number	Item Number	Designation	Number of units	Lead time
1	90 20 80 010 01-46	handle (cold)	1	30
2	90 90 03 131 00 90	top	2	2
3	90 28 22 317 00-46	spout	1	30
4	09 24 03 273-46	nipple	1	30
5	90 14 10 032 00 90	seal	1	2
6	90 21 10 011 00 90	diverter	1	2
7	90 20 80 011 01-46	handle (hot)	1	30
8	90 20 80 015 02-46	handle	1	30
9	04 24 04 189 00-46	nipple	1	30
10	90 14 20 002 00 90	seal	1	2
11	90 12 11 140 41-46	shower	1	30
12	90 30 02 072 00-46	Metal shower hose 1/2" x 3/8" x 49-1/4" - Brushed Champagne (22kt Gold)	1	30
13	90 18 40 035 00 90	sleeve	1	2
14	04 28 10 029 01-46	holder	1	30
15	09 29 05 021 20 90	nipple	2	2
16	09 14 10 112 90	seal	4	2
17	90 14 10 055 00 90	seal	4	2
18	09 28 10 028-46	sleeve	1	30
19	90 27 80 019 00-46	rosette	2	30
20	09 23 30 040-07	nut	2	30
21	09 24 03 121-46	nipple	1	30
22	09 23 01 131 90	back-flow preventer	1	2
23	09 21 02 143-46	sleeve	1	30
24	90 14 20 026 00 90	seal	1	2
25	04 28 22 009 20-46	connection	2	30
26	09 14 10 081 90	seal	2	2
27	09 24 03 094-07	nipple	2	30
28	04 23 10 023 00 90	fixing set	6	2
29	09 30 11 130-07	connection	2	30
30	09 24 03 081 10 90	extension	4	2
31	09 24 03 080 90	extension	2	2