

## VAIA Two-hole tub mixer for freestanding installation with hand shower set - Brushed Bronze

25 943 819 Product version from 5/27/2021



- Spout: Round aerated stream
- Water flow rate limited to max. 6.5 gpm
- Hand-held shower: COMPACT RAIN, flow rate max. 1.8 gpm (at 3 bar)
- Hand shower with descaling system
- 8-3/4" Projection
- Swiveling spout 360°
- Tub / shower diverter
- Total height 36-1/4"
- Riser height 24-3/4"
- Height to aerator/spout outlet 32-1/8"
- Flanges Ø 3-7/8"
- Center to center 5-7/8"
- Metal shower hose 49-1/4" with anti-twist device
- Hand shower to be mounted on right pillar

**Internal backflow preventer.**

**(ADA)**

**NOTE: Local building codes may require the use of an anti-scald device. Please refer to remote pressure balance valve (35 914 970 90)**

Internal backflow preventer.

(ADA)

NOTE: Local building codes may require the use of an anti-scald device. Please refer to remote pressure balance valve (35 914 970 90)

	Brushed Bronze	25 943 819-42
	Chrome	25 943 819-00
	Brushed Platinum	25 943 819-06
	Platinum	25 943 819-08
	Dark Chrome	25 943 819-19
	Brushed Durabrass (23kt Gold)	25 943 819-28
	Brushed Champagne (22kt Gold)	25 943 819-46
	Champagne (22kt Gold)	25 943 819-47
	Brushed Dark Platinum	25 943 819-99

### Required article



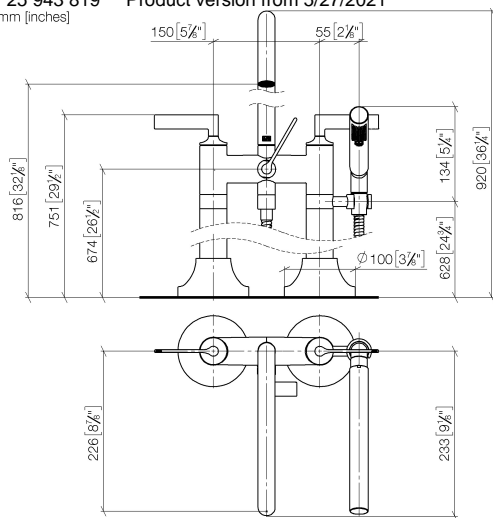
**Floor mounting rough set -**

- Min. rough in depth "
- Max. rough in depth "

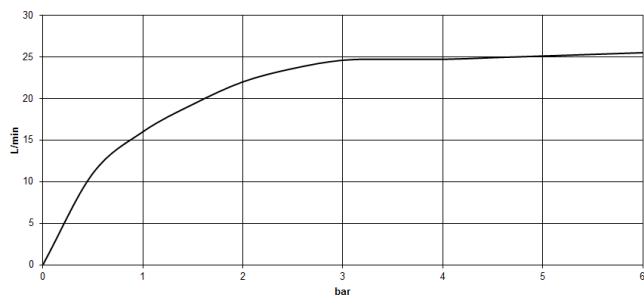
35 951 970-90  
0010

**VAIA Two-hole tub mixer for freestanding installation with hand shower set -  
Brushed Bronze**

25 943 819 Product version from 5/27/2021  
mm [inches]



**Flow rate chart**



**Codes & Standards**

ASME A112.18.1	ASME A112.18.1/CSA B125.1	California Energy Commission (CEC)	cUPC
DIN 4109	EN 1717	ISO 3822	Scottish Water Byelaws
UK Water Supply Regulations	Ü-Zeichen		



## VAIA Two-hole tub mixer for freestanding installation with hand shower set - Brushed Bronze

---

25 943 819 Product version from 5/27/2021

### Certificates

---

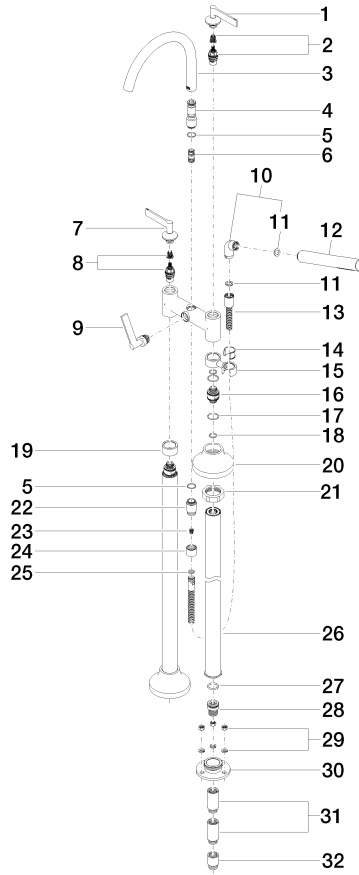
IAPMO\_4976

Belgauqa\_22\_276\_2 LGA\_29

WRAS\_240502

**VAIA Two-hole tub mixer for freestanding installation with hand shower set -  
Brushed Bronze**

25 943 819 Product version from 5/27/2021





## VAIA Two-hole tub mixer for freestanding installation with hand shower set - Brushed Bronze

25 943 819 Product version from 5/27/2021

### Spare parts list

Number	Item Number	Designation	Number of units	Lead time
1	90 20 80 012 01-42	handle ( cold )	1	30
2	90 90 03 130 00 90	top	1	2
3	90 28 22 317 00-42	spout	1	30
4	09 24 03 273-42	nipple	1	60
5	90 14 10 032 00 90	seal	1	2
6	90 21 10 011 00 90	diverter	1	2
7	90 20 80 013 01-42	handle ( hot )	1	30
8	90 90 03 131 00 90	top	1	2
9	90 20 80 015 02-42	handle	1	30
10	04 24 04 189 00-42	nipple	1	60
11	90 14 20 002 00 90	seal	1	2
12	90 12 11 140 41-42	shower	1	30
13	90 30 02 072 00-42	hose	1	30
14	90 18 40 035 00 90	sleeve	1	2
15	04 28 10 029 01-42	holder	1	60
16	09 29 05 021 20 90	nipple	2	2
17	09 14 10 112 90	seal	4	2
18	90 14 10 055 00 90	seal	4	2
19	09 28 10 028-42	sleeve	1	60
20	90 27 80 019 00-42	rosette	2	30
21	09 23 30 040-07	nut	2	30
22	09 24 03 121-42	nipple	1	60
23	09 23 01 131 90	back-flow preventer	1	2
24	09 21 02 143-42	sleeve	1	60
25	90 14 20 026 00 90	seal	1	2
26	04 28 22 009 20-42	connection	2	60
27	09 14 10 081 90	seal	2	2
28	09 24 03 094-07	nipple	2	30
29	04 23 10 023 00 90	fixing set	6	2
30	09 30 11 130-07	connection	2	30
31	09 24 03 081 10 90	extension	4	2
32	09 24 03 080 90	extension	2	2