

**VAIA Two-hole tub mixer for freestanding installation with hand shower set -
Brushed Champagne (22kt Gold)**

25 943 819



- Spout: Round aerated stream
- Water flow rate limited to max. 6.5 gpm
- Hand-held shower: COMPACT RAIN, flow rate max. 1.8 gpm (at 3 bar)
- Hand shower with descaling system
- 8-3/4" Projection
- Swiveling spout 360°
- Tub / shower diverter
- Total height 36-1/4"
- Riser height 24-3/4"
- Height to aerator/spout outlet 32-1/8"
- Flanges Ø 3-7/8"
- Center to center 5-7/8"
- Metal shower hose 49-1/4" with anti-twist device
- Hand shower to be mounted on right pillar

Internal backflow preventer.

(ADA)

NOTE: Local building codes may require the use of an anti-scald device. Please refer to remote pressure balance valve (35 914 970 90)

Internal backflow preventer.

(ADA)

NOTE: Local building codes may require the use of an anti-scald device. Please refer to remote pressure balance valve (35 914 970 90)

	Brushed Champagne (22kt Gold)	25 943 819-46
	Chrome	25 943 819-00
	Brushed Platinum	25 943 819-06
	Platinum	25 943 819-08
	Dark Chrome	25 943 819-19
	Brushed Durabronze (23kt Gold)	25 943 819-28
	Brushed Bronze	25 943 819-42
	Champagne (22kt Gold)	25 943 819-47
	Brushed Dark Platinum	25 943 819-99

Required article



Floor mounting rough set -

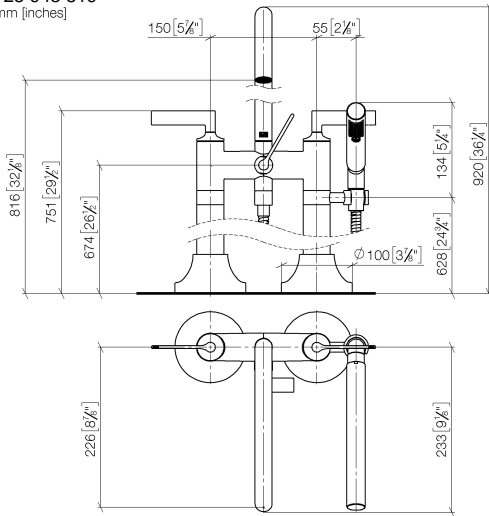
- Max. rough in depth "
- Min. rough in depth "

35 951 970-90
0010

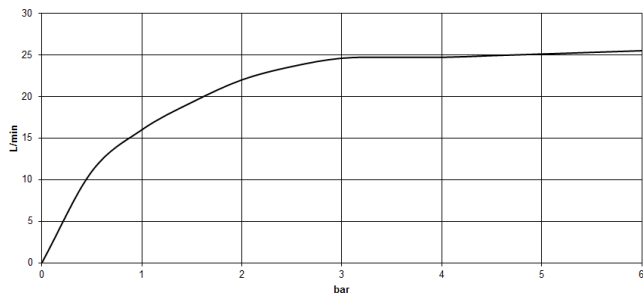


**VAIA Two-hole tub mixer for freestanding installation with hand shower set -
Brushed Champagne (22kt Gold)**

25 943 819
mm [inches]



Flow rate chart



Codes & Standards

ASME A112.18.1	ASME A112.18.1/CSA B125.1	California Energy Commission (CEC)	cUPC
DIN 4109	EN 1717	ISO 3822	Scottish Water Byelaws
UK Water Supply Regulations	Ü-Zeichen		



VAIA Two-hole tub mixer for freestanding installation with hand shower set -
Brushed Champagne (22kt Gold)

25 943 819

Certificates

IAPMO_4976

Belgauqa_22_276_2 LGA_29

WRAS_240502

VAIA Two-hole tub mixer for freestanding installation with hand shower set -
Brushed Champagne (22kt Gold)

25 943 819

