



TARA Two-hole tub mixer for freestanding installation with hand shower set - Platinum

25 943 892 Product version from 5/27/2021



- 8-5/8" Projection
- Swiveling spout 180°
- Hand-held shower: COMPACT RAIN, flow rate max. 1.8 gpm (at 3 bar)
- Spout: Round aerated stream
- Hand shower with descaling system
- Tub / shower diverter
- Total height 36-1/4"
- Riser height 24-3/4"
- Height to aerator/spout outlet 30-1/8"
- Flanges Ø 3-1/2"
- Center to center 5-7/8"
- Metal shower hose 49-1/4" with anti-twist device
- Hand shower to be mounted on right pillar
- Water flow rate limited to max. 5.8 gpm

NOTE: Local building codes may require the use of an anti-scald device. Please refer to remote pressure balance valve (35 914 970 90) Internal backflow preventer.

NOTE: Local building codes may require the use of an anti-scald device. Please refer to remote pressure balance valve (35 914 970 90)

Internal backflow preventer.

	Platinum	25 943 892-08
	Chrome	25 943 892-00
	Brushed Platinum	25 943 892-06
	Dark Chrome	25 943 892-19
	Brushed Durabronze (23kt Gold)	25 943 892-28
	Matte Black	25 943 892-33
	Brushed Bronze	25 943 892-42
	Brushed Champagne (22kt Gold)	25 943 892-46
	Champagne (22kt Gold)	25 943 892-47
	Brushed Chrome	25 943 892-93
	Brushed Dark Platinum	25 943 892-99

Required article



Floor mounting rough set -

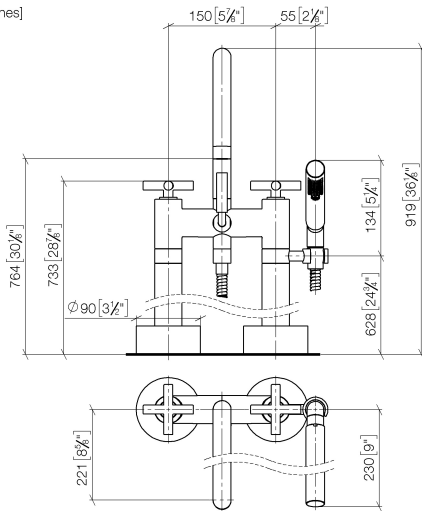
- Max. rough in depth "
- Min. rough in depth "

35 951 970-90
0010

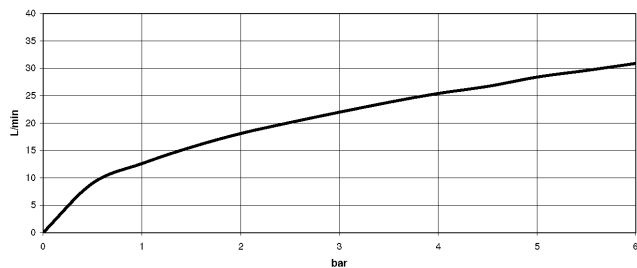
TARA Two-hole tub mixer for freestanding installation with hand shower set - Platinum

25 943 892 Product version from 5/27/2021

mm [inches]



Flow rate chart



Codes & Standards

ASME A112.18.1	ASME A112.18.1/CSA B125.1	cUPC	DIN 4109
EN 1717	ISO 3822	Scottish Water Byelaws	UK Water Supply Regulations

Ü-Zeichen



TARA Two-hole tub mixer for freestanding installation with hand shower set - Platinum

25 943 892 Product version from 5/27/2021

Certificates

IAPMO_4976

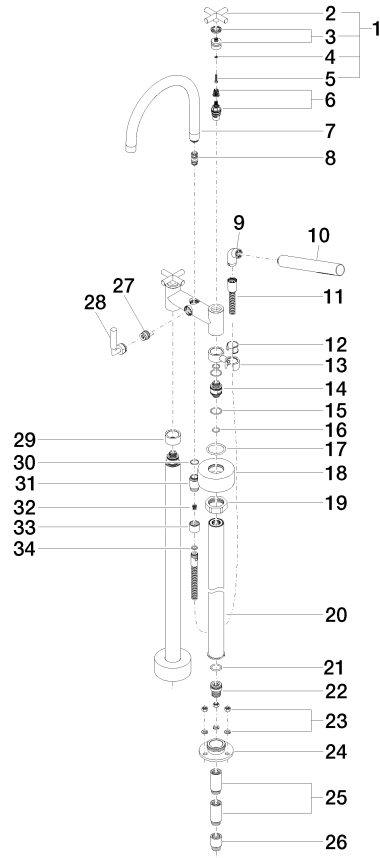
WRAS_2212

LGA_18

Belgaqua_21-033-2

**TARA Two-hole tub mixer for freestanding installation with hand shower set -
Platinum**

25 943 892 Product version from 5/27/2021





TARA Two-hole tub mixer for freestanding installation with hand shower set - Platinum

25 943 892 Product version from 5/27/2021

Spare parts list

Number	Item Number	Designation	Number of units	Lead time
1	90 20 89 010 10-08	handle	2	40
2	09 20 89 010-08	handle	2	60
3	90 12 12 007 00-08	base	2	40
4	90 30 11 029 00 90	disc	2	2
5	90 30 30 075 00 90	screw	2	2
6	90 90 03 131 00 90	top	2	2
7	90 28 22 222 00-08	spout	1	40
8	90 21 10 011 00 90	diverter	1	2
9	04 24 04 189 00-08	nipple	1	40
10	90 12 11 140 41-08	shower	1	40
11	90 30 02 072 00-08	Metal shower hose 1/2" x 3/8" x 49-1/4" - Platinum	1	40
12	90 18 40 035 00 90	sleeve	1	2
13	04 28 10 029 01-08	holder	1	40
14	09 29 05 021 20 90	nipple	2	2
15	09 14 10 112 90	seal	4	2
16	90 14 10 055 00 90	seal	4	2
17	09 14 10 041 90	seal	2	2
18	09 27 89 025-08	rosette	2	40
19	09 23 30 040-07	nut	2	30
20	04 28 22 009 20-08	connection	2	40
21	09 14 10 081 90	seal	2	2
22	09 24 03 094-07	nipple	2	30
23	04 23 10 023 00 90	fixing set	6	2
24	09 30 11 130-07	connection	2	30
25	09 24 03 081 10 90	extension	4	2
26	09 24 03 080 90	extension	2	2
27	90 15 01 005 00 90	insert	1	2
28	90 18 20 025 00-08	diverter	1	40
29	09 28 10 028-08	sleeve	1	40
30	90 14 10 032 00 90	seal	1	2
31	09 24 03 121-08	nipple	1	40
32	09 23 01 131 90	back-flow preventer	1	2
33	09 21 02 143-08	sleeve	1	40
34	90 14 20 026 00 90	seal	1	2