



## IMO Three-hole single-lever tub mixer for deck-mounted tub installation - Brushed Light Gold







27 412 670 Product version from 4/1/2024



- 8-7/8" Projection
- Spout: Cascade
- Water flow rate limited to max. 5.1 gpm
- Hand-held shower: COMPACT RAIN, flow rate max. 1.8 gpm (at 3 bar)
- Hand shower set with anti-scale technology
- Integrated diverter
- Total height 4-3/8"
- Height to aerator/spout outlet 5-3/8"
- Spout hole diameter 1-1/4"
- Single-lever mixer hole diameter 1-3/8"
- Hole diameter for hand shower set 1-1/4"
- Flange for mixer 2-3/8" x 2-3/8"
- 2-3/8" x 2-3/8" flange for spout
- Hand shower set with flange 2-3/8" x 2-3/8"
- Metal shower hose 88-5/8" with anti-twist device

NOTE: Local building codes may require the use of an anti-scald device. Please refer to remote pressure balance valve (35 914 970 90)

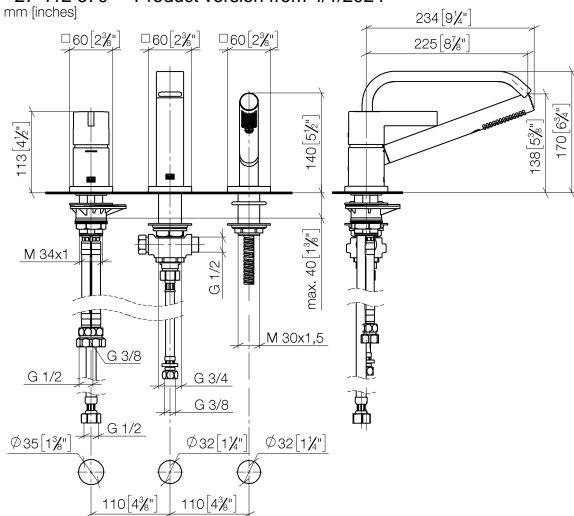
Internal backflow preventer.

	Brushed Light Gold	27 412 670-27
	Chrome	27 412 670-00
	Brushed Platinum	27 412 670-06
	Dark Chrome	27 412 670-19
	Matte Black	27 412 670-33
	Brushed Chrome	27 412 670-93

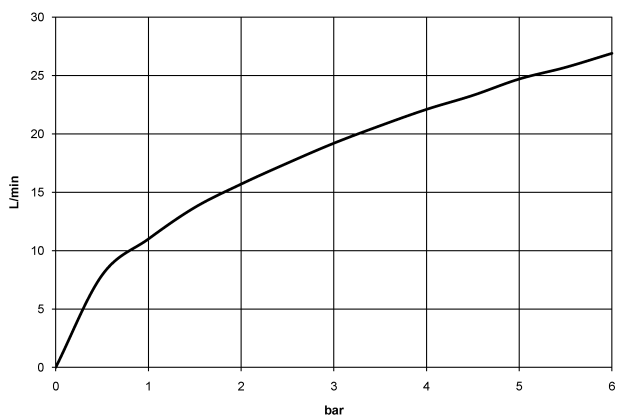


## IMO Three-hole single-lever tub mixer for deck-mounted tub installation - Brushed Light Gold

27 412 670 Product version from 4/1/2024  
mm [inches]



### Flow rate chart



### Codes & Standards

ASME  
A112.18.1/CSA  
B125.1

California Energy  
Commission  
(CEC)

EN 1717



## IMO Three-hole single-lever tub mixer for deck-mounted tub installation - Brushed Light Gold

---

27 412 670 Product version from 4/1/2024

Certificates

---

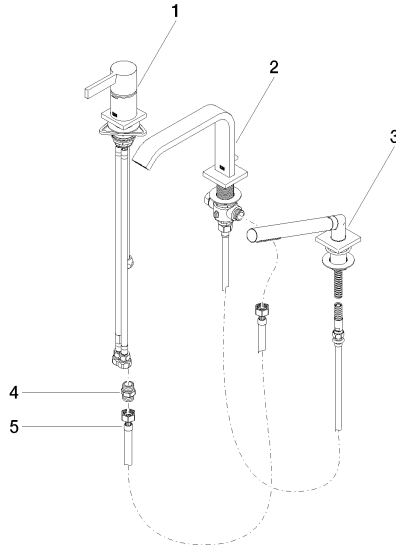
Belgaqua\_24-008-2



## IMO Three-hole single-lever tub mixer for deck-mounted tub installation - Brushed Light Gold

27 412 670 Product version from 4/1/2024

Parts for other  
finishes can be found  
here: [Chrome](#)



### Spare parts list

Number	Item Number	Designation	Number of units	Lead time
1	29 300 670-27	Single-lever tub mixer for deck-mounted tub installation - Brushed Light Gold	1	30
2	13 512 670-27	spout	1	-
Spare part can no longer be ordered, please order the replacement item				
3	27 702 980-27	Hand shower set for deck-mounted tub installation - Brushed Light Gold	1	30
4	90 24 03 168 00 90	nipple	1	2
5	12 502 970 90	Flexible supply line 1/2" x 1/2" x 15-3/4" -	1	2