

## VAIA Five hole tub set for deck-mounted tub installation with diverter - Brushed Dark Platinum

27 522 809 Product version from 3/13/2017



- Spout: Round aerated stream
- Water flow rate limited to max. 5.7 gpm
- Hand-held shower: COMPACT RAIN, flow rate max. 1.8 gpm (at 3 bar)
- Hand shower set with anti-scale technology
- 8-5/8" Projection
- Integrated diverter
- Total height 13-5/8"
- Height to aerator/spout outlet 9-5/8"
- Valve hole diameter 1-1/4"
- Spout hole diameter 1-1/4"
- Hole diameter for hand shower set 1-1/4"
- Hand shower set with flange Ø 2-3/8"
- 2-1/8" diameter flange for spout
- Valve with flange Ø 2-3/8"
- Metal shower hose 68-7/8" with anti-twist device

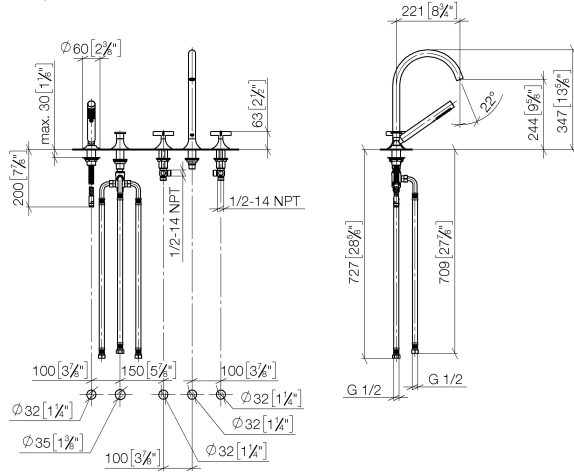
Internal backflow preventer.

NOTE: Local building codes may require the use of an anti-scald device. Please refer to remote pressure balance valve (35 914 970 90)

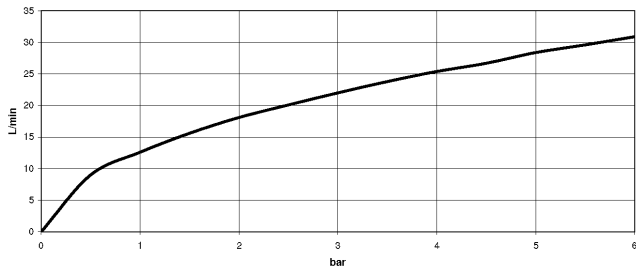
	Brushed Dark Platinum	27 522 809-99
	Chrome	27 522 809-00
	Brushed Platinum	27 522 809-06
	Platinum	27 522 809-08
	Dark Chrome	27 522 809-19
	Brushed Durabronze (23kt Gold)	27 522 809-28
	Brushed Bronze	27 522 809-42
	Brushed Champagne (22kt Gold)	27 522 809-46
	Champagne (22kt Gold)	27 522 809-47

**VAIA Five hole tub set for deck-mounted tub installation with diverter - Brushed Dark Platinum**

27 522 809 Product version from 3/13/2017  
mm [inches]  
M 1:10



**Flow rate chart**



**Codes & Standards**

ASME A112.18.1	ASME A112.18.1/CSA B125.1	California Energy Commission (CEC)	cUPC
DIN 4109	EN 1717	Executive Order no. 1007	ISO 3822

**Ü-Zeichen**



## VAIA Five hole tub set for deck-mounted tub installation with diverter - Brushed Dark Platinum

---

27 522 809 Product version from 3/13/2017

### Certificates

---

IAPMO\_4976

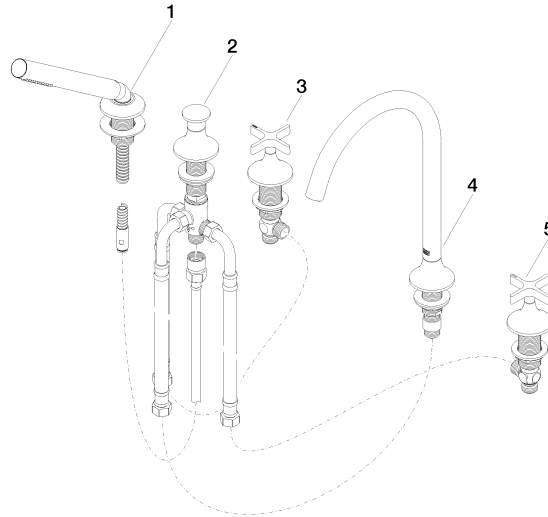
Belgaqua\_22\_278\_2 WRAS\_2310

LGA\_29

**VAIA Five hole tub set for deck-mounted tub installation with diverter - Brushed Dark Platinum**

27 522 809 Product version from 3/13/2017

Parts for other finishes can be found here: [Chrome](#)



**Spare parts list**

Number	Item Number	Designation	Number of units	Lead time
1	27 702 809-99	VAIA Hand shower set for deck-mounted tub installation - Brushed Dark Platinum	1	20
2	29 140 809-99	VAIA Two-way diverter for deck-mounted tub installation - Brushed Dark Platinum	1	20
3	20 000 808-99	VAIA Deck valve clockwise-closing hot - Brushed Dark Platinum	1	-
Spare part can no longer be ordered, please order the replacement item				
4	13 612 809-99	VAIA Tub spout without diverter for deck-mounted installation - Brushed Dark Platinum	1	-
Spare part can no longer be ordered, please order the replacement item				
5	20 000 809-99	VAIA Deck valve clockwise-closing cold - Brushed Dark Platinum	1	-
Spare part can no longer be ordered, please order the replacement item				