



## Hand shower set for deck-mounted tub installation - Chrome

27 702 980 Product version from 5/15/2020



- COMPACT RAIN, flow rate max. 1.8 gpm (at 3 bar)
- Descaling system
- Flange 2-3/8" x 2-3/8"
- 1-1/4" hole diameter
- Metal shower hose 88-5/8" with anti-twist device

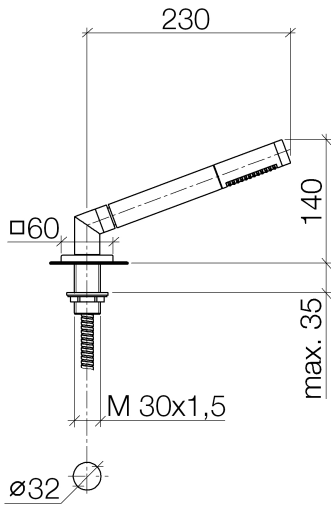
Subsequent shower hose replacement possible without removing the fitting due to two-part construction.

Internal backflow preventer.

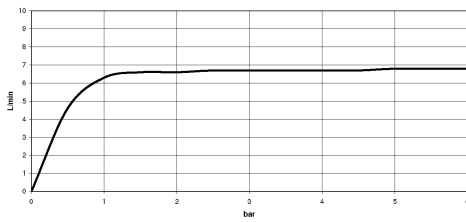
	Chrome	27 702 980-00
	Brushed Platinum	27 702 980-06
	Platinum	27 702 980-08
	Dark Chrome	27 702 980-19
	Brushed Light Gold	27 702 980-27
	Brushed Durabronze (23kt Gold)	27 702 980-28
	Matte Black	27 702 980-33
	Brushed Champagne (22kt Gold)	27 702 980-46
	Champagne (22kt Gold)	27 702 980-47
	Brushed Chrome	27 702 980-93
	Brushed Dark Platinum	27 702 980-99

**Hand shower set for deck-mounted tub installation - Chrome**

27 702 980 Product version from 5/15/2020



**Flow rate chart**



**Codes & Standards**

ASME A112.18.1	ASME A112.18.1/CSA B125.1	California Energy Commission (CEC)	cUPC
DIN 4109	EN 1717	ISO 3822	Scottish Water Byelaws
UK Water Supply Regulations	Ü-Zeichen		



## Hand shower set for deck-mounted tub installation - Chrome

---

27 702 980 Product version from 5/15/2020

### Certificates

---

LGA\_29

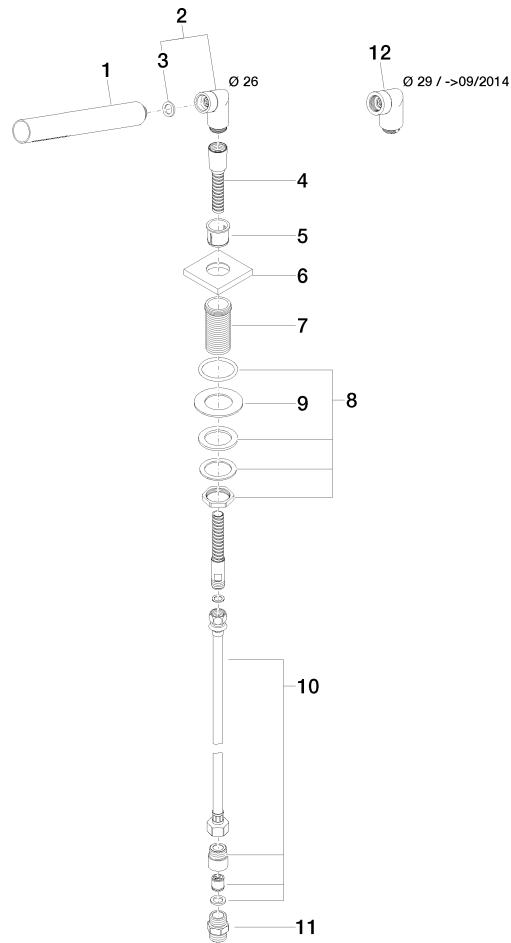
IAPMO\_4976

Belgaqua\_21-383-2 WRAS\_2209

## Hand shower set for deck-mounted tub installation - Chrome

27 702 980 Product version from 5/15/2020

Parts for other finishes can be found here: Brushed Platinum



### Spare parts list

Number	Item Number	Designation	Number of units	Lead time
1	90 12 11 140 41-00	shower	1	10
2	04 24 04 287 00-00	nipple	1	10
3	90 14 20 002 00 90	seal	1	2
4	28 322 970-00	Metal shower hose 1/2" x 3/8" x 68-7/8" - Chrome	1	2
5	90 18 40 085 00 90	sleeve	1	2
6	09 27 68 003-00	rosette	1	10
7	09 30 01 090-07	sleeve	1	30
8	04 23 10 032 46 90	fixing set	1	2
9	09 30 11 060 90	disc	1	2
10	12 505 970 90	Flexible supply line 1/2" x 3/8" x 19-5/8" -	1	2
11	90 24 03 168 00 90	nipple	1	2
12	04 24 04 187 00-00	nipple	1	10