

VAIA Side spray set - Matte Black

27 718 809 Product version from 7/1/2023



- With round flange
- Spray mode
- Integrated diverter
- Total height 6-3/4"
- Side spray hole diameter 1-1/4"
- Fabric braided spray hose 59"
- Sprayface with descaling system
- lead-free
- This product can help a building meet the requirements of Green Building Rating Systems, e.g. LEED®, BREEAM®, DGNB

(ADA)

Can only be combined with 33810809, 33826809, 19815809, 19825809.

Internal backflow preventer.

Residual water may drip from the sprayer after shut-off

Flexible positioning of components.

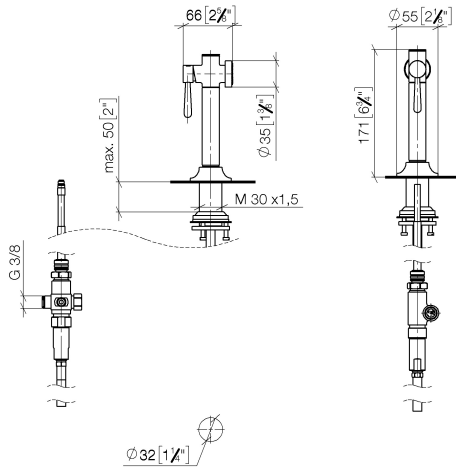
Button has to be pressed while using.

	Matte Black	27 718 809-33
	Chrome	27 718 809-00
	Brushed Platinum	27 718 809-06
	Platinum	27 718 809-08
	Durabress (23kt Gold)	27 718 809-09
	Dark Chrome	27 718 809-19
	Brushed Durabress (23kt Gold)	27 718 809-28
	Brushed Bronze	27 718 809-42
	Brushed Champagne (22kt Gold)	27 718 809-46
	Champagne (22kt Gold)	27 718 809-47
	Brushed Chrome	27 718 809-93
	Brushed Dark Platinum	27 718 809-99

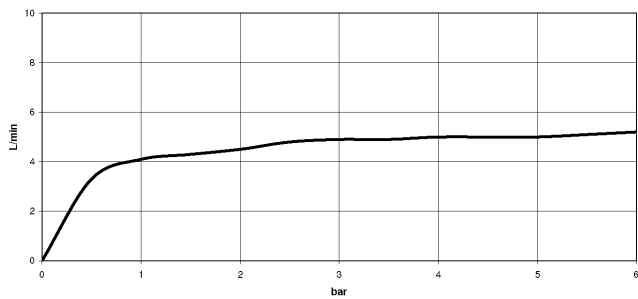
VAIA Side spray set - Matte Black

27 718 809 Product version from 7/1/2023

mm [inches]



Flow rate chart



Codes & Standards

DIN 4109

ISO 3822

NSF372

NSF61

Ü-Zeichen



VAIA Side spray set - Matte Black

27 718 809 Product version from 7/1/2023

Certificates

LGA_38

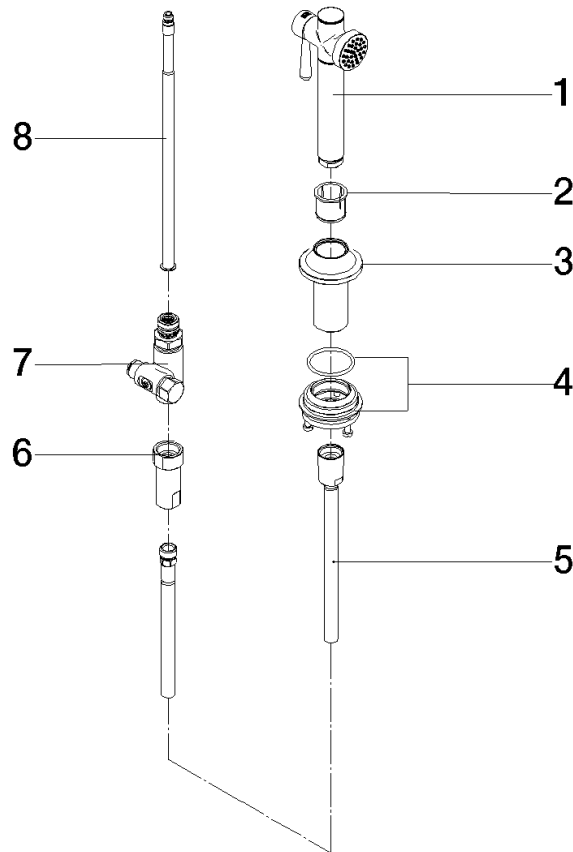
IAPMO_N-4976

IAPMO_6397

VAIA Side spray set - Matte Black

27 718 809 Product version from 7/1/2023

Parts for other finishes can be found here: [Chrome](#)



Spare parts list

Number	Item Number	Designation	Number of units	Lead time
1	90 12 11 096 12-33	shower	1	30
2	90 18 40 085 00 90	sleeve	1	2
3	90 30 01 142 00-33	shaft	1	-
Spare part can no longer be ordered, please order the replacement item				
4	04 23 10 047 00 92	fixing set	1	60
5	90 30 02 062 00-33	hose	1	30
6	90 24 03 241 00 90	nipple	1	2
7	90 17 09 046 12 90	diverter	1	2
8	90 28 20 068 00 90	connection	1	2