



Affusion pipe - Brushed Durabronz (23kt Gold)

27 728 972

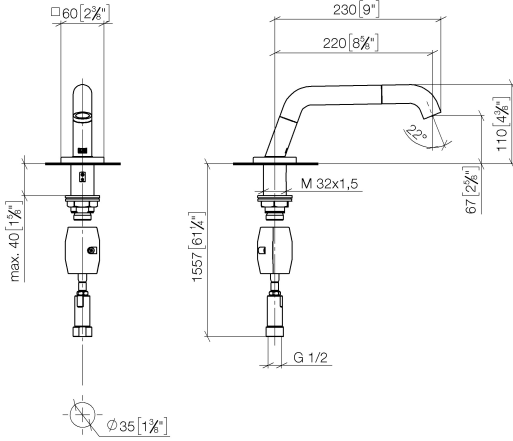


- 8-5/8" Projection
- Swiveling spout 160°
- Laminar stream
- Total height 4-3/8"
- Height to water exit point 2-5/8"
- 1-3/8" hole diameter
- Flange 2-3/8" x 2-3/8"
- Water flow rate limited to max. 2.5 gpm
- lead-free

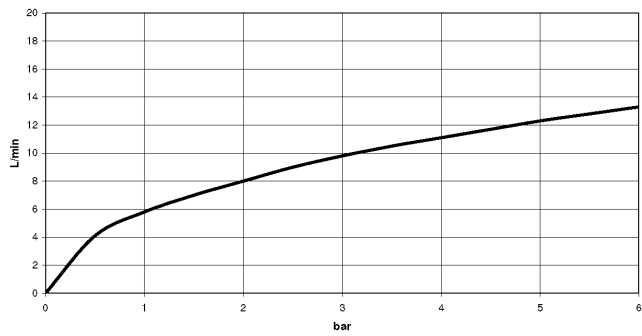
Affusion pipe - Brushed Durabron (23kt Gold)

27 728 972

mm [inches]



Flow rate chart



Codes & Standards

DIN 4109

EN 1717

ISO 3822

NSF/ANSI 372

Ü-Zeichen



Affusion pipe - Brushed Durabronz (23kt Gold)

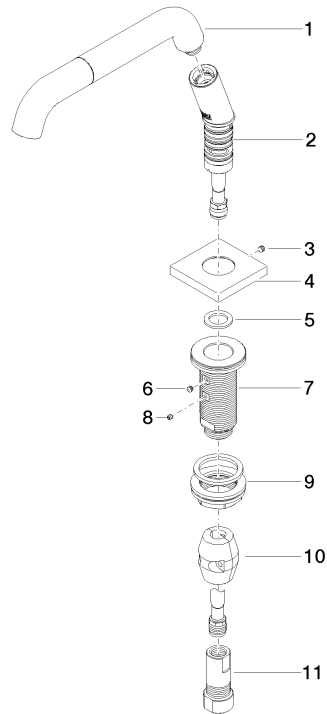
27 728 972

Certificates

Belgaqua_21-023-2 LGA_28

Affusion pipe - Brushed Durabronz (23kt Gold)

27 728 972



Spare parts list

Number	Item Number	Designation	Number of units	Lead time
1	90 28 22 264 00-28	spout	1	20
2	90 28 22 260 00-28	spout	1	20
3	90 31 11 112 00 90	pin	1	2
4	09 27 22 043-28	rosette	1	20
5	09 14 15 065 90	seal	1	2
6	90 31 11 063 00 90	pin	1	2
7	09 30 01 195-28	connection	1	-
Spare part can no longer be ordered, please order the replacement item				
8	09 31 11 099 90	pin	1	2
9	04 23 10 009 01 90	fixing set	1	2
10	04 21 50 005 00 90	accessories	1	2
11	90 24 03 241 00 90	nipple	1	2