

## Hand shower set with integrated wall bracket FlowReduce - Chrome

27 803 660 Product version from 10/1/2023



- COMPACT RAIN, flow rate max. 1.8 gpm (at 3 bar)
- 3 individual sprays (standard, soft, massage) + 2 combinations (standard+soft, soft+massage)
- Descaling system
- 3/8" Shower outlet
- Metal shower hose 49-1/4" with anti-twist device
- Flange diameter 2-3/8"
- 1/2" connection
- Function from: 1.6 gpm
- This product reduces water consumption by 28% (compared to requirements of EPAAct '92)
- This product contributes to meeting the requirements of the LEED® Green Building Rating
- This product can help a building meet the requirements of Green Building Rating Systems, e.g. LEED®, BREEAM®, DGNB

Internal backflow preventer.

	Chrome	27 803 660-00 0010
	Brushed Platinum	27 803 660-06 0010
	Platinum	27 803 660-08 0010
	Dark Chrome	27 803 660-19 0010
	Light gold	27 803 660-26 0010
	Brushed Light Gold	27 803 660-27 0010
	Brushed Durabrass (23kt Gold)	27 803 660-28 0010
	Matte Black	27 803 660-33 0010
	Brushed Bronze	27 803 660-42 0010
	Brushed Champagne (22kt Gold)	27 803 660-46 0010
	Champagne (22kt Gold)	27 803 660-47 0010
	Brushed Chrome	27 803 660-93 0010
	Brushed Dark Platinum	27 803 660-99 0010

### Recommended article

Rough-in adapter -

35 080 970-90  
0010

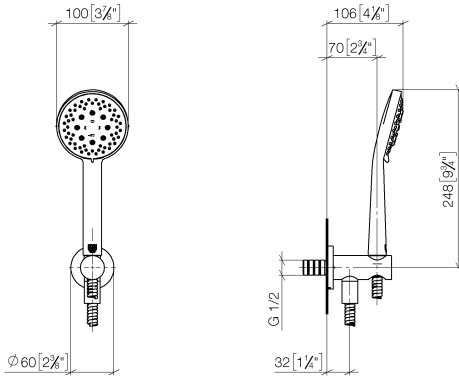




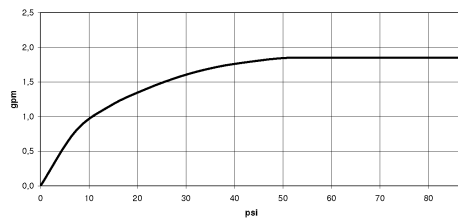
## Hand shower set with integrated wall bracket FlowReduce - Chrome

27 803 660 Product version from 10/1/2023

mm [inches]



### Flow rate chart



### Codes & Standards

ASME  
A112.18.1/CSA  
B125.1

California Energy  
Commission  
(CEC)

DIN 4109

ISO 3822

Ü-Zeichen



## Hand shower set with integrated wall bracket FlowReduce - Chrome

---

27 803 660 Product version from 10/1/2023

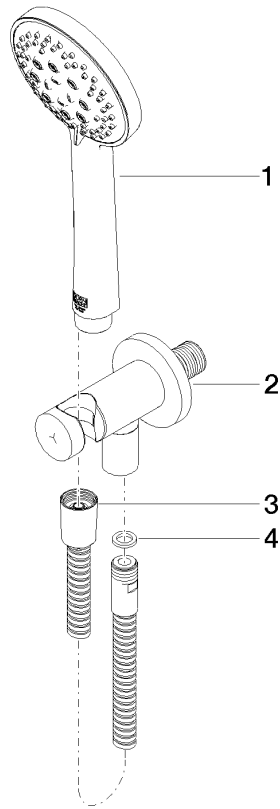
### Certificates

---

LGA\_29

## Hand shower set with integrated wall bracket FlowReduce - Chrome

27 803 660 Product version from 10/1/2023



### Spare parts list

Number	Item Number	Designation	Number of units	Lead time
1	28 014 979-00 0010	Hand shower - Chrome	1	-
	Spare part can no longer be ordered, please order the replacement item			
	28018979-000010	Hand shower FlowReduce - Chrome		
2	28 490 660-00	Wall elbow with integrated wall bracket - Chrome	1	10
3	90 30 02 072 00-00	Metal shower hose 1/2" x 3/8" x 49-1/4" - Chrome	1	10
4	90 14 20 026 00 90	seal	1	2