



## DORNBACHT YARRE Hand shower set with individual flanges - Chrome

---

27 803 832 Product version from 1/1/2023



- 3 individual sprays (standard, soft, massage) + 2 combinations (standard+soft, soft+massage)
- Descaling system
- 1/2" Shower outlet
- Wall elbow with flange Ø 2-1/8"
- Wall bracket with flange Ø 2-1/8"
- Metal shower hose 49-1/4" with anti-twist device
- 1/2" wall elbow
- Water flow rate limited to max. 1.8 gpm

 Chrome

27 803 832-00 0010

 Soft Black

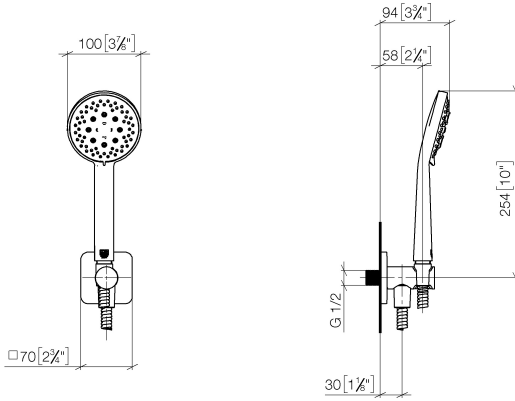
27 803 832-69 0010



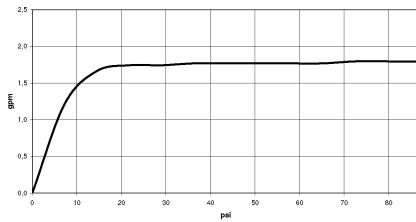
# DORNBRACHT YARRE Hand shower set with individual flanges - Chrome

27 803 832 Product version from 1/1/2023

mm [inches]



## Flow rate chart



## Codes & Standards

ASME A112.18.1

ASME  
A112.18.1/CSA  
B125.1

California Energy  
Commission  
(CEC)

cUPC

EPA WaterSense

WaterSense





## DORNBACHT YARRE Hand shower set with individual flanges - Chrome

---

27 803 832 Product version from 1/1/2023

### Certificates

---

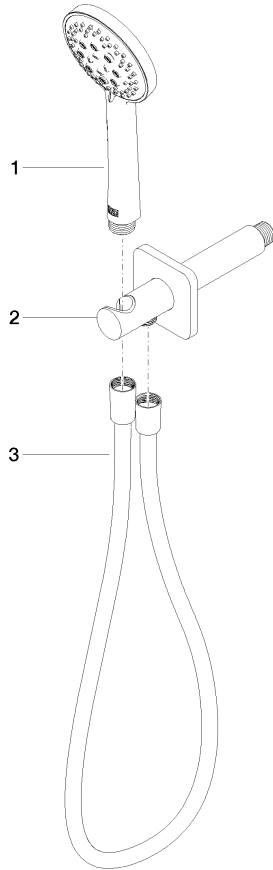
IAPMO\_11777

IAPMO\_4976

**DORNBACHT YARRE Hand shower set with individual flanges - Chrome**

27 803 832 Product version from 1/1/2023

Parts for other finishes can be found here: [Soft Black](#)



**Spare parts list**

Number	Item Number	Designation	Number of units	Lead time
1	90 12 11 143 30-00	shower	1	2
2	90 27 83 019 01-00	connection	1	2
3	90 30 03 010 00-00	hose	1	2