

## Hand shower set with cover plate FlowReduce - Platinum

27 818 980 Product version from 3/2/2021



- COMPACT RAIN, flow rate max. 1.8 gpm (at 3 bar)
  - Descaling system
  - 3/8" Shower outlet
  - Cover plate 9-1/2" x 2-3/8"
  - Metal shower hose 49-1/4" with anti-twist device
  - 1/2" wall elbow
  - This product reduces water consumption by 28% (compared to requirements of EPAAct '92)
  - This product contributes to meeting the requirements of the LEED® Green Building Rating
  - This product can help a building meet the requirements of Green Building Rating Systems, e.g. LEED®, BREEAM®, DGNB
- Internal backflow preventer.**

Internal backflow preventer.

	Platinum	27 818 980-08 0010
	Chrome	27 818 980-00 0010
	Brushed Platinum	27 818 980-06 0010
	Dark Chrome	27 818 980-19 0010
	Brushed Durabross (23kt Gold)	27 818 980-28 0010
	Matte Black	27 818 980-33 0010
	Brushed Champagne (22kt Gold)	27 818 980-46 0010
	Champagne (22kt Gold)	27 818 980-47 0010
	Brushed Chrome	27 818 980-93 0010
	Brushed Dark Platinum	27 818 980-99 0010

### Required article

Rough-in adapter -

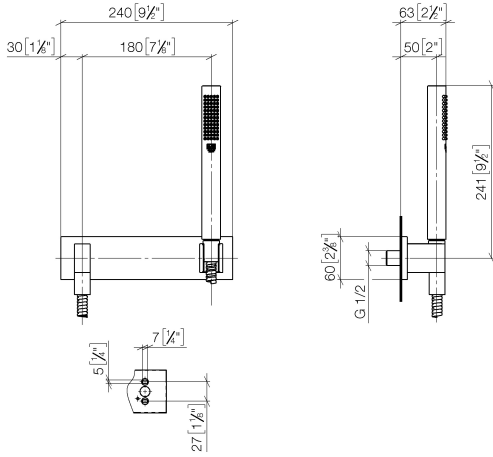
35 080 970-90  
0010



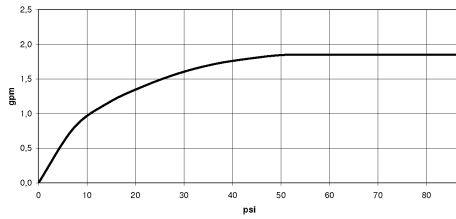
**Hand shower set with cover plate FlowReduce - Platinum**

27 818 980 Product version from 3/2/2021

mm [inches]



**Flow rate chart**



**Codes & Standards**

ASME A112.18.1	ASME A112.18.1/CSA B125.1	California Energy Commission (CEC)	cUPC
DIN 4109	ISO 3822	Ü-Zeichen	



## Hand shower set with cover plate FlowReduce - Platinum

---

27 818 980 Product version from 3/2/2021

### Certificates

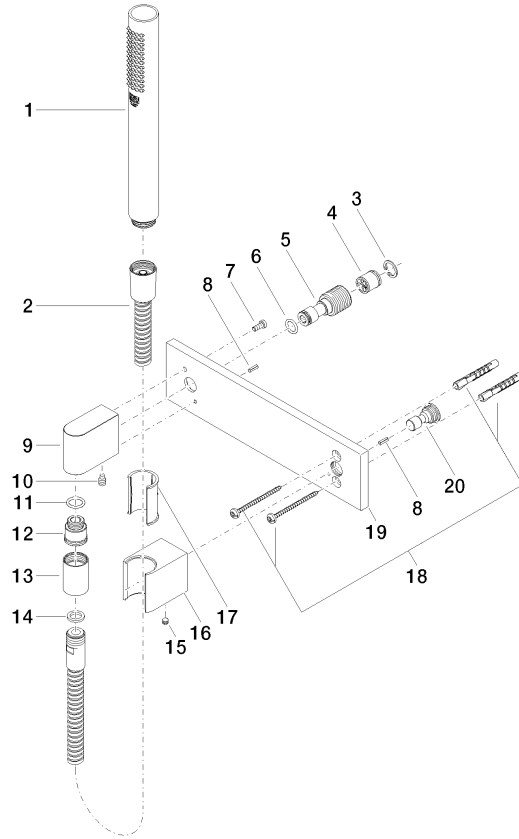
---

LGA\_29

IAPMO\_4976

## Hand shower set with cover plate FlowReduce - Platinum

27 818 980 Product version from 3/2/2021



### Spare parts list

Number	Item Number	Designation	Number of units	Lead time
1	90 12 11 140 41-08	shower	1	40
2	90 30 02 072 00-08	Metal shower hose 1/2" x 3/8" x 49-1/4" - Platinum	1	40
3	09 16 01 014 90	ring	1	2
4	90 23 01 141 00 90	back-flow preventer	1	2
5	09 24 03 116 20 90	nipple	1	2
6	09 14 10 008 90	seal	1	2
7	09 30 30 054 90	screw	1	2
8	09 31 11 026 90	pin	2	2
9	09 11 03 046-08	connection	1	40
10	04 31 11 140 00 90	pin	1	2
11	90 14 10 077 00 90	seal	1	2
12	09 24 03 107 20 90	nipple	1	2
13	90 21 02 069 00-08	cover	1	40
14	90 14 20 026 00 90	seal	1	2
15	90 31 11 112 00 90	pin	1	2
16	09 17 20 044-08	holder	1	40
17	09 18 40 078 90	sleeve	1	2
18	05 30 31 025 00 90	fixing set	1	2
19	09 11 02 120-08	plate	1	40
20	09 24 03 073 90	nipple	1	2