



WATER TUBE Kneipp wall elbow with hose bracket with individual flanges - Brushed Champagne (22kt Gold)

27 821 979 Product version from 3/6/2023



- LAMINAR FLOW, max. flow rate 4 gpm (at 3 bar)
- with volume control
- Flange 2-3/8" x 2-3/8"
- Bracket for Kneipp hose
- 1/2" wall elbow
- Hose to be ordered separately

Internal backflow preventer.

Product change as of 1.4.2023: Water flow rate limited to max. 4 gpm

Internal backflow preventer.

Product change as of 1.4.2023: Water flow rate limited to max. 4 gpm

	Brushed Champagne (22kt Gold)	27 821 979-46
	Chrome	27 821 979-00
	Brushed Platinum	27 821 979-06
	Platinum	27 821 979-08
	Dark Chrome	27 821 979-19
	Brushed Light Gold	27 821 979-27
	Brushed Durabrass (23kt Gold)	27 821 979-28
	Matte Black	27 821 979-33
	Champagne (22kt Gold)	27 821 979-47
	Brushed Chrome	27 821 979-93
	Brushed Dark Platinum	27 821 979-99

Required article



Rough-in adapter -

35 080 970-90
0010

Required article



WATER TUBE Kneipp hose black 78-3/4" - Brushed Champagne (22kt Gold)

28 286 979-46

- With holding ring
- Hose nozzle with sleeve

Required article



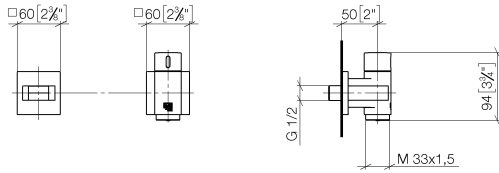
WATER TUBE Kneipp hose white 78-3/4" - Brushed Champagne (22kt Gold)

28 285 979-46

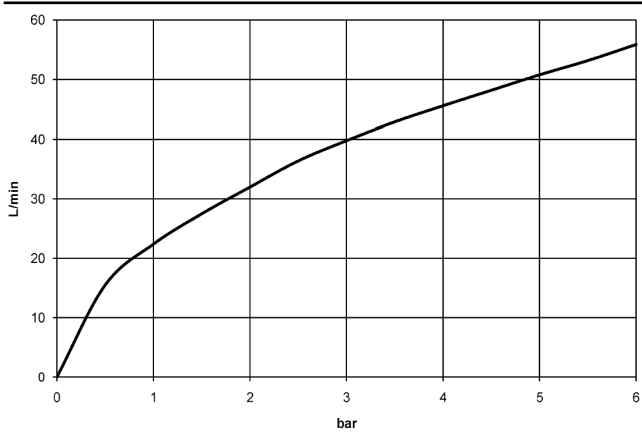
- With holding ring
- Hose nozzle with sleeve

**WATER TUBE Kneipp wall elbow with hose bracket with individual flanges -
Brushed Champagne (22kt Gold)**

27 821 979 Product version from 3/6/2023
mm [inches]



Flow rate chart



Codes & Standards

EN 1717



WATER TUBE Kneipp wall elbow with hose bracket with individual flanges - Brushed Champagne (22kt Gold)

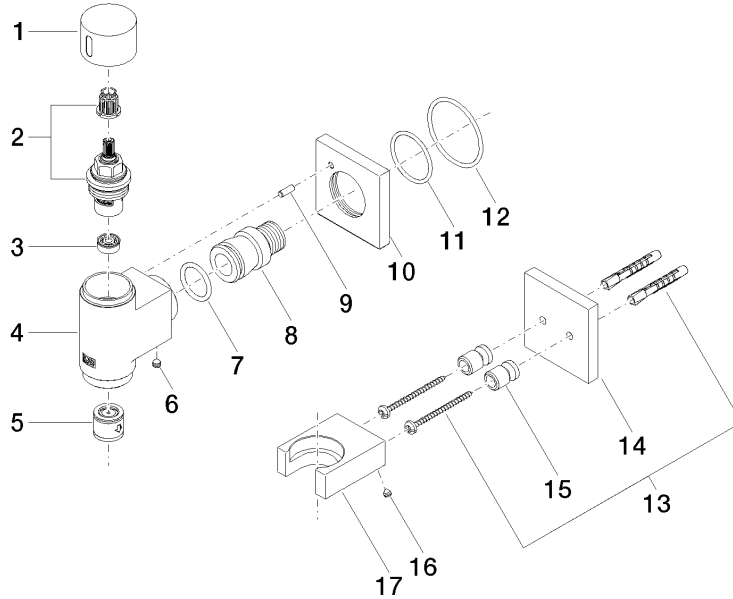
27 821 979 Product version from 3/6/2023

Certificates

Belgaqua_22_280_2

**WATER TUBE Kneipp wall elbow with hose bracket with individual flanges -
Brushed Champagne (22kt Gold)**

27 821 979 Product version from 3/6/2023



Spare parts list

Number	Item Number	Designation	Number of units	Lead time
1	09 20 97 021-46	handle	1	60
2	90 90 03 145 00 90	top	1	2
3	90 23 01 146 00 90	flow reducer	1	2
4	09 11 03 135-46	connection	1	60
5	90 23 01 045 00 90	back-flow preventer	1	2
6	90 31 11 112 00 90	pin	1	2
7	09 14 10 081 90	seal	1	2
8	09 24 03 151 90	nipple	1	2
9	09 31 11 040 90	pin	1	2
10	09 27 97 021-46	rosette	1	30
11	09 14 10 119 90	seal	1	2
12	90 14 10 049 00 90	seal	1	2
13	05 30 31 025 00 90	fixing set	1	2
14	09 27 97 022-46	rosette	1	30
15	08 17 20 726 90	holder	2	2
16	09 31 11 148 90	pin	2	2
17	09 17 20 023-46	holder	1	60