



Affusion pipe with cover plate - Dark Chrome

27 838 979



- LAMINAR FLOW, max. flow rate 4 gpm (at 3 bar)
 - 3/8" Shower outlet
 - Cover plate 9-1/2" x 2-3/8"
 - Metal shower hose 49-1/4" with anti-twist device
 - 1/2" connection
 - Plug-in connection mounting
- Internal backflow preventer.**

Internal backflow preventer.

	Dark Chrome	27 838 979-19
	Chrome	27 838 979-00
	Brushed Platinum	27 838 979-06
	Platinum	27 838 979-08
	Brushed Light Gold	27 838 979-27
	Brushed Durabronze (23kt Gold)	27 838 979-28
	Matte Black	27 838 979-33
	Brushed Chrome	27 838 979-93
	Brushed Dark Platinum	27 838 979-99

Required article

Rough-in adapter -

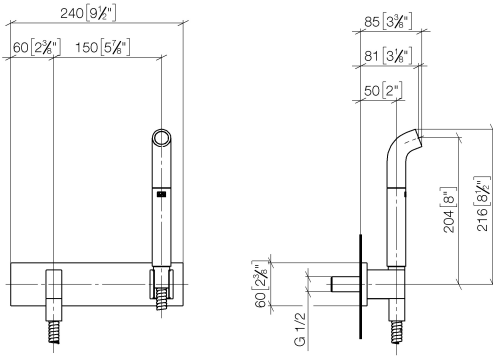
35 080 970-90
0010



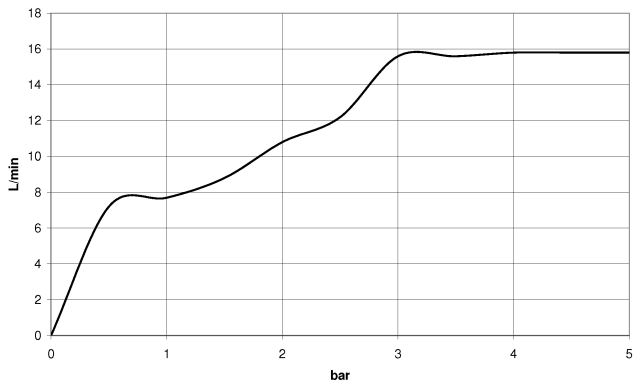
Affusion pipe with cover plate - Dark Chrome

27 838 979

mm [inches]



Flow rate chart



Codes & Standards

DIN 4109

ISO 3822

Ü-Zeichen



Affusion pipe with cover plate - Dark Chrome

27 838 979

Certificates

LGA_38

Affusion pipe with cover plate - Dark Chrome

27 838 979

